

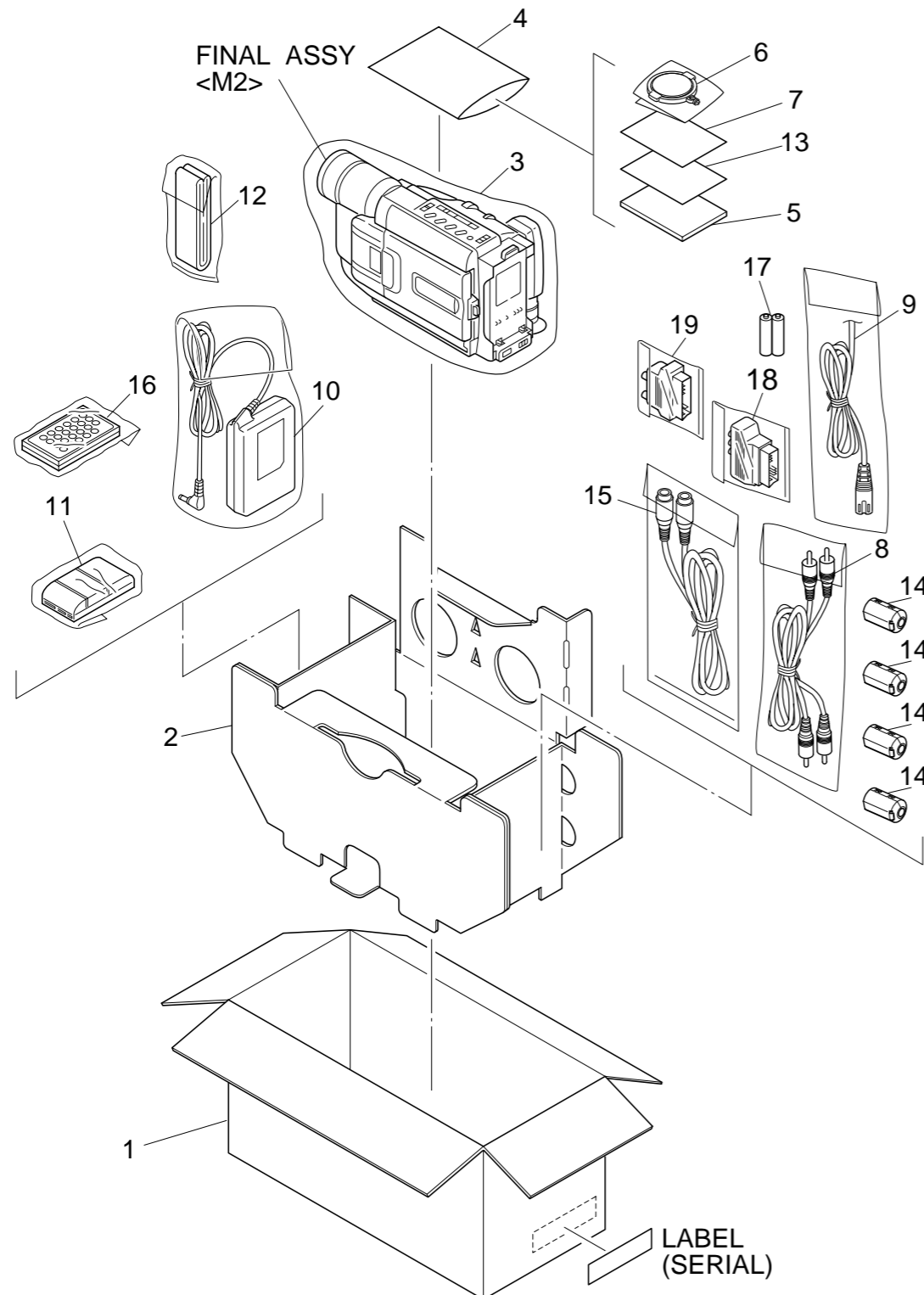
SECTION 5 PARTS LIST

SAFETY PRECAUTION

Parts identified by the \triangle symbol are critical for safety. Replace only with specified part numbers.

5.1 PACKING AND ACCESSORY ASSEMBLY <M1>

The instruction manual to be provided with this product will differ according to the destination.



\triangle REF No. PART No. PART NAME, DESCRIPTION

PACKING AND ACCESSORY ASSEMBLY <M1>

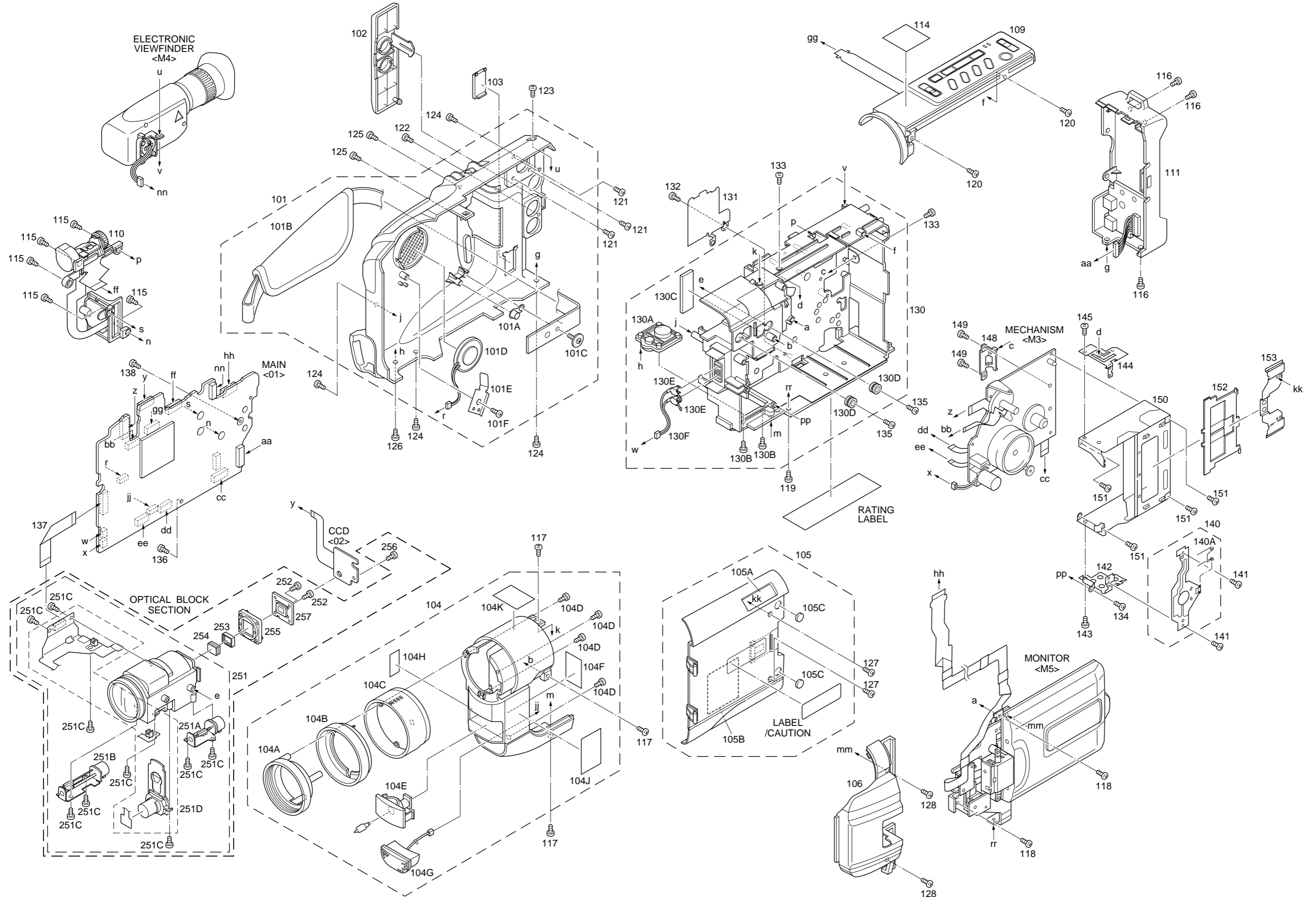
1	LY32179-002A	PACKING CASE,A
	LY32179-004A	PACKING CASE,B,C
2	LY32065-001A	CUSHION
3	LY30023-002A	POLY BAG
4	YQM30061-3	POLY BAG,C
	QPA02003506	POLY BAG,A,B
\triangle 5	LYT0671-002A	IB(GE),A,B
\triangle	LYT0671-003A	IB(FR),A,B
\triangle	LYT0671-004A	IB(DU),A,B
\triangle	LYT0671-005A	IB(SP),A,B
\triangle	LYT0671-006A	IB(IT),A,B
\triangle	LYT0671-007A	IB(DA),A,B
\triangle	LYT0671-008A	IB(FI),A,B
\triangle	LYT0671-009A	IB(SW),A,B
\triangle	LYT0671-010A	IB(NO),A,B
\triangle	LYT0671-011A	IB(RU),A,B
\triangle	LYT0671-012A	IB(CZ),A,B
\triangle	LYT0671-013A	IB(PO),A,B
\triangle	LYT0671-014A	IB(HU),A,B
\triangle	LYT0672-001A	IB(EN),C
6	LY41538-002B	LENS CAP
7	BT-54008-2	GUARANTY CARD,C
	BT-54013-1	WARRANTY CARD,A,B
8	PEAC0362-150	CABLE ASSY(AUDIO/VIDEO)
\triangle 9	QMPL120-190-JR	POWER CORD,A,B
\triangle	QMPP110-190-JR	POWER CORD,C
\triangle 10	LY20688-001A	AC ADAPTER,AP-V10EG
\triangle 11	LY31199-001A	BATTERY PACK,BN-V20BU,B,C
\triangle	YQ10629E	BATTERY PACK,BN-V11U,A
12	LY20186-001A	SHOULDER STRAP
13	LYT0194-001A	Q.CARD(JUK),C
14	QQR0491-002	CORE FILTER,X3 A
	QQR0491-002	CORE FILTER,X4 B,C
15	QAM0004-003	S CABLE,S-VIDEO CABLE,B,C
16	LY42129-001A	REMOTE CONTROL UNIT,RM-V715U,B,C
17	-	AAA(R03)BATTERY,X2 B,C
18	QAM0302-001	ADAPTER PLUG,B,C
19	PEMC1174	CONNECTOR,CABLE ADAPTER,A

• INSTRUCTIONS

EN..... ENGLISH
 GE GERMANY
 FR FRENCH
 DU DUTCH
 SP SPANISH
 IT ITALIAN
 DA..... DANISH
 FI FINNISH
 SW SWEDISH
 NO NORWEGIAN
 RU RUSSIAN
 CZ..... CZECH
 PO POLISH
 HU HUNGARIAN

MODEL	MARK
GR-FXM37EG	A
GR-SXM607EG	B
GR-SXM607EK	C

5.2 FINAL ASSEMBLY <M2>



#	△ REF No.	PART No.	PART NAME, DESCRIPTION

FINAL ASSEMBLY <M2>			
101		LY20684-005A	LOWER CASE ASSY,A
		LY20684-008A	LOWER CASE ASSY,B,C
101A		LY40081-001A	CAP
101B		LY20682-001A	GRIP BELT
101C		LY30018-003A	SPECIAL SCREW
101D		QAS0061-001	SPEAKER
101E		LY42764-001B	HOLDER(SPEAKER)
101F		QYSLSF2060D	SCREW
102		LY31945-001B	COVER(JACK)
103		LY31946-001A	COVER(JIG)
104		LY20683-014A	FRONT COVER ASSY,B,C
		LY20683-013A	FRONT COVER ASSY,A
104A		LY31937-001A	HOOD
104B		LY31938-001A	COVER(HOOD)
104C		LY31936-001A	RING
104D		QYSLSF2060D	SCREW,X4
104E		LY30934-020A	COVER(LIGHT),A
		LY32040-001A	DC LIGHT,B,C
104F		LY30029-0B4A	SPACER(A),B,C
104G		LY32043-001A	MICROPHONE
104H		YQ44341-6	CAUTION LABEL,B,C
104J		LY32058-001A	STICKER(A),A
		LY32058-002A	STICKER(A),B,C
104K		LY32060-001A	STICKER(C),A
		LY32060-002A	STICKER(C),B,C
105		LY20694-002A	CASS.COVER(M)ASSY
105A		LY42883-001A	MARK
105B		LY40559-001A	SHIELD SHEET
105C		LY40076-001A	SPACER,X2
106		LY10257-001A	UPPER CASE(M),B,C
		LY10257-005B	UPPER CASE(M),A
109		LY20614-002B	TOP OPE UNIT,B,C
		LY20614-014B	TOP OPE UNIT,A
110		LY20613-001A	ZOOM UNIT
111		LY20615-001A	REAR UNIT,B,C
		LY20615-004A	REAR UNIT,A
114		LY32061-001A	STICKER(D),B,C
		LY32061-003A	STICKER(D),A
115		QYSLSF2060D	SCREW,X5
116		QYSLSF2060D	SCREW,X3
117		QYSLSF2060D	SCREW,X3
118		QYSLSF2060D	SCREW,X2
119		QYSLSP2030D	SCREW
120		QYSLSF2060D	SCREW,X2
121		QYSLSF2060D	SCREW,X3
122		QYSLSF2060D	SCREW
123		QYSLSF2060D	SCREW
124		QYSLSF2060D	SCREW,X4
125		QYSLSF2060D	SCREW,X2
126		QYSLSF2060D	SCREW
127		QYSLSP2030D	SCREW,X2
128		QYSLSP2030D	SCREW,X2
130		LY20678-001A	FRAME ASSY,B,C
		LY20678-002A	FRAME ASSY,A
130A		YQ31843	BASE
130B		QYSLSF2060D	SCREW,X2
130C		LY30029-0A4A	SPACER(A)
130D		LY41082-001A	CUSHION(OP),X2

#	△ REF No.	PART No.	PART NAME, DESCRIPTION
130E		YQ43810-1-1	CONTACT(LIGHT),X2 B,C
130F		WJM0167-001A	E-SI C WIRE C-F,B,C
131		LY42758-001A	S.CASE(MAIN)
132		QYSPSTU1725M	SCREW
133		LY41173-001A	SPECIAL SCREW,X2
134		QYSLSF1750D	SCREW
135		LY30018-050A	SPECIAL SCREW,X2
136		QYSLSF2060D	SCREW
137		WJT0039-001A	E-CARD WIRE,OP-MAIN CN15
138		QYSLSF2060D	SCREW,B,C
140		LY31790-001A	FRONT FRAME ASSY
140A		YQ44144-1-1	TAPE GUIDE
141		SPSH1725M	SCREW,X2
142		LY31807-001A	SIDE BRACKET L
143		LY42722-003A	SCREW
144		LY31806-001A	SIDE BRACKET R
145		LY42722-003A	SCREW
148		LY31816-001A	BRACKET(MECHA)
149		LY42722-003A	SCREW,X2
150		LY31808-001A	CASS.HOUSING ASSY
151		LY42722-003A	SCREW,X4
152		LY30176-001A	CASS.COV.INSIDE
153		LY31956-001A	BRACKET(C.CO.V.)

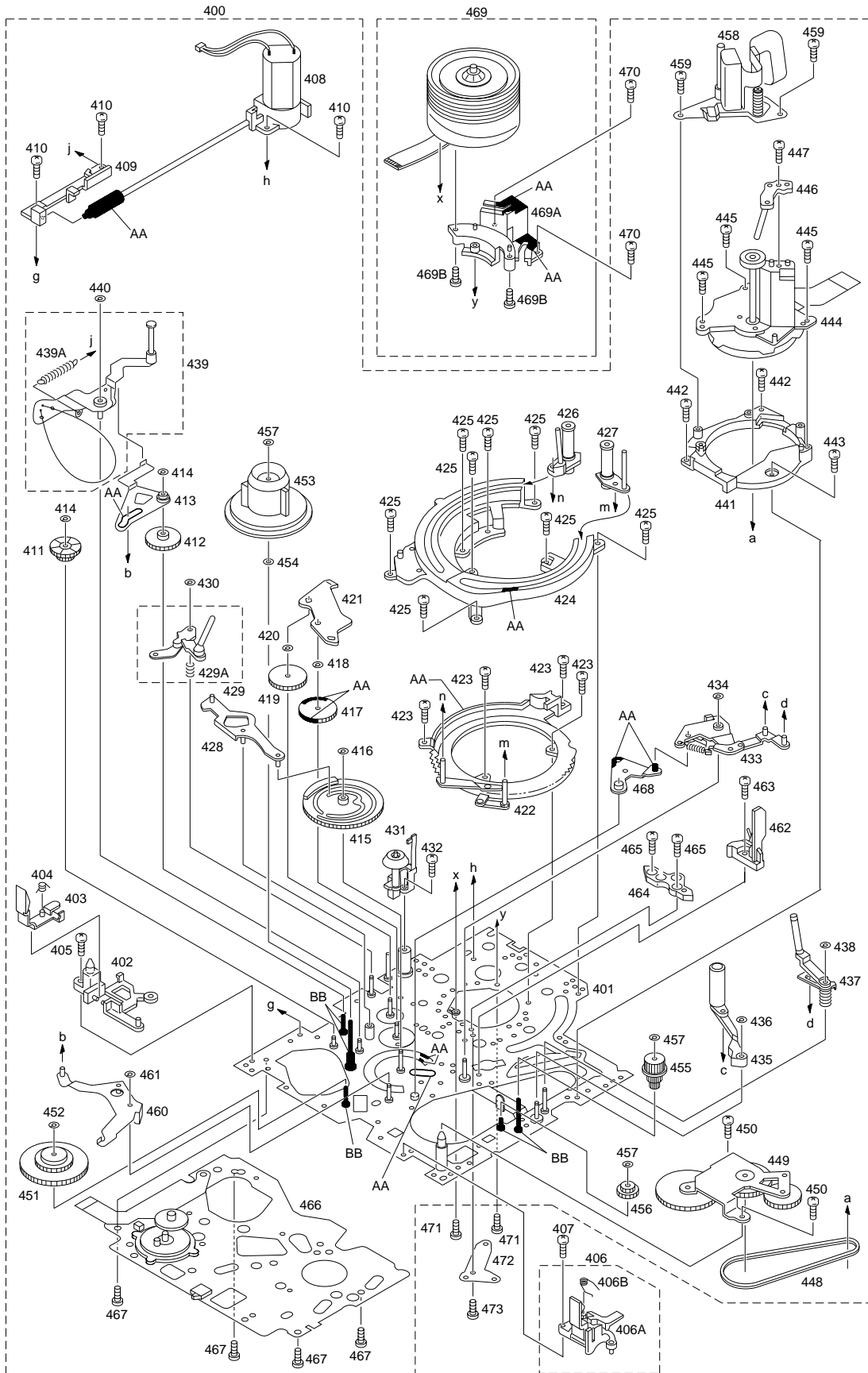
- OPTICAL BLOCK SECTION -

251		LY30948-003A	OP BLOCK ASSY
251A		PTY30948-002	FOCUS MOTOR
251B		PTY30948-321	ZOOM MOTOR
251C		PTY30151-016	SCREW,X9
251D		PTY30948-006	IRIS MOTOR UNIT,INCL.FPC
252		QYSPSGU2080Z	SCREW,X2
253		LY31441-001A	SPACER RUBBER
254		LY41370-001A	OP LPF,B,C
		LY41757-001A	OPTICAL LPF,A
255		LY20086-001A	CCD SPACER,B,C
		LY20346-001A	CCD SPACER,A
256		LY30018-072A	SPECIAL SCREW
257		LYH40018-003A	CCD BASE ASSY,A
		LYH40018-004A	CCD BASE ASSY,B,C

5.3 MECHANISM ASSEMBLY <M3>

BEWARE OF BOGUS PARTS

Parts that do not meet specifications may cause trouble in regard to safety and performance. We recommend that genuine JVC parts be used.



Classification	Part No.	Symbol in drawing
Grease	KYODO-SH-P	AA
Oil	YTU94027	BB

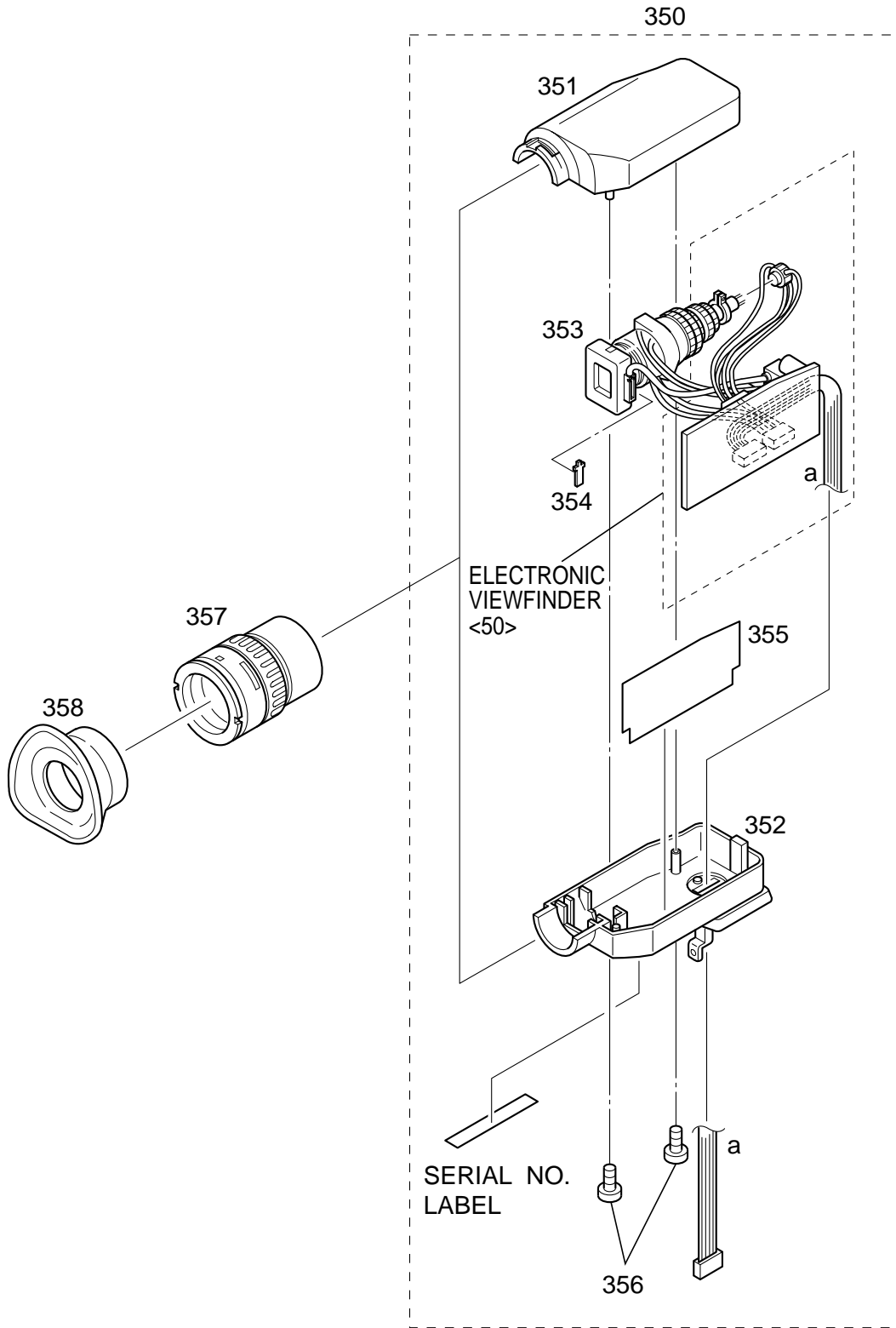
NOTE:The section marked in **AA** and **BB** indicate lubrication and greasing areas.

#	△ REF No.	PART No.	PART NAME, DESCRIPTION

MECHANISM ASSEMBLY <M3>			
400		YMA0030A-E	MECHA(B)ASSY,A
		YMA0031A-E	MECHA(B)ASSY,B,C
401		LY20612-001A	MAIN DECK ASSY
402		LY31817-001A	CASS.GUIDE(L)
403		LY31815-001A	SW.LEVER(L)
404		LY42581-001A	TORSION SPRING
405		LY42722-001A	SCREW
406		YQ44339A-7	CASS.GUIDE(R)ASSY,B,C
406A		YQ32162-1-3	SW.LEVER(R),B,C
406B		YQ44340-1-4	TORSION SPRING,B,C
407		LY42819-001A	SCREW,B,C
408		LY31826-001A	MOTOR BRACKET ASSY
409		YQ20793	WORM BRACKET
410		LY42722-001A	SCREW,X3
411		LY31925-001A	WHEEL GEAR
412		LY42730-001A	MIDDLE GEAR
413		LY42521-001A	CANCEL LEVER ASSY
414		LY42754-003A	SLIT WASHER,X2
415		YQ20827-2-1	CONTROL CAM
416		PQM30017-25	SLIT WASHER
417		LY42733-001A	LOADING GEAR(T)ASSY
418		LY42754-003A	SLIT WASHER
419		LY42732-001A	LOADING GEAR(S)ASSY
420		LY42754-003A	SLIT WASHER
421		LY42403-001A	COVER PLATE
422		LY42452-001A	LOADING RING ASSY
423		LY42722-001A	SCREW,X4
424		LY10239-001A	GUIDE RAIL
425		LY42728-001A	SCREW,X8
426		LY30161-001B	POLE BASE(S)ASSY
427		LY30162-002A	POLE BASE(T)ASSY
428		LY42523-001A	DRIVE LEVER ASSY
429		LY42545-001A	SLANT ARM ASSY
429A		LY42547-001A	TOR.SPRING(S)
430		LY42754-003A	SLIT WASHER
431		LY42739-001A	ROLLER BASE ASSY
432		LY42722-001A	SCREW
433		LY42494-001A	LINK ARM ASSY
434		PQM30017-25	SLIT WASHER
435		LY40018-002A	PINCH ROLLER ARM ASSY
436		PQM30017-25	SLIT WASHER
437		LY42541-001A	TAKE-UP GUIDE ARM ASSY
438		LY42754-003A	SLIT WASHER
439		LY42571-001A	TENSION ARM ASSY
439A		LY42669-001A	TENSION SPRING
440		LY42754-003A	SLIT WASHER
441		YQ20797-1-5	MOTOR BASE
442		LY42722-001A	SCREW,X2
443		YQ44460	SCREW
444		QAR0116-001	CAPSTAN MOTOR
445		YQ44304	TAPPING SCREW,X3
446		LY42731-001A	SLANT POLE BASE ASSY
447		YQ44304	TAPPING SCREW
448		YQ43710-2	TIMING BELT
449		LY42678-001A	CENTER PULLEY UNIT
450		LY42722-002A	SCREW,X2
451		LY42670-001A	SUPPLY CLUTCH ASSY
452		LY42754-003A	SLIT WASHER

#	△ REF No.	PART No.	PART NAME, DESCRIPTION
453		YQ31861-1-7	REEL DISC
454		LY42755-001A	WASHER
455		LY31924-001A	TAKE-UP GEAR
456		LY42738-001A	BRAKE SUB GEAR
457		LY42754-003A	SLIT WASHER,X3
458		LY42544-001A	A/C HEAD UNIT
459		SPSN1750Z	SCREW,X2
460		LY42517-001A	EJECT LEVER ASSY
461		LY42754-003A	SLIT WASHER
462		YQ31833-1-1	LED GUIDE
463		LY42722-001A	SCREW
464		LY42729-001A	DRUM SPACER
465		LY42722-001A	SCREW,X2
466		QSW0888-001	ROTARY ENCODER,A
		QSW0888-002	ROTARY ENCODER,B,C
467		LY42722-002A	SCREW,X4
468		LY31814-001A	LINK LEVER
469		YDV2099A	DRUM ASSY
469A		YDM1003-1-5	CATCHER
469B		QYSPSPU1735M	SCREW,X2
470		LY42722-001A	SCREW,X2
471		SPSH1740Z	SCREW,X2
472		YU42051	BRUSH
473		LY42722-003A	SCREW

5.4 ELECTRONIC VIEWFINDER ASSEMBLY <M4>



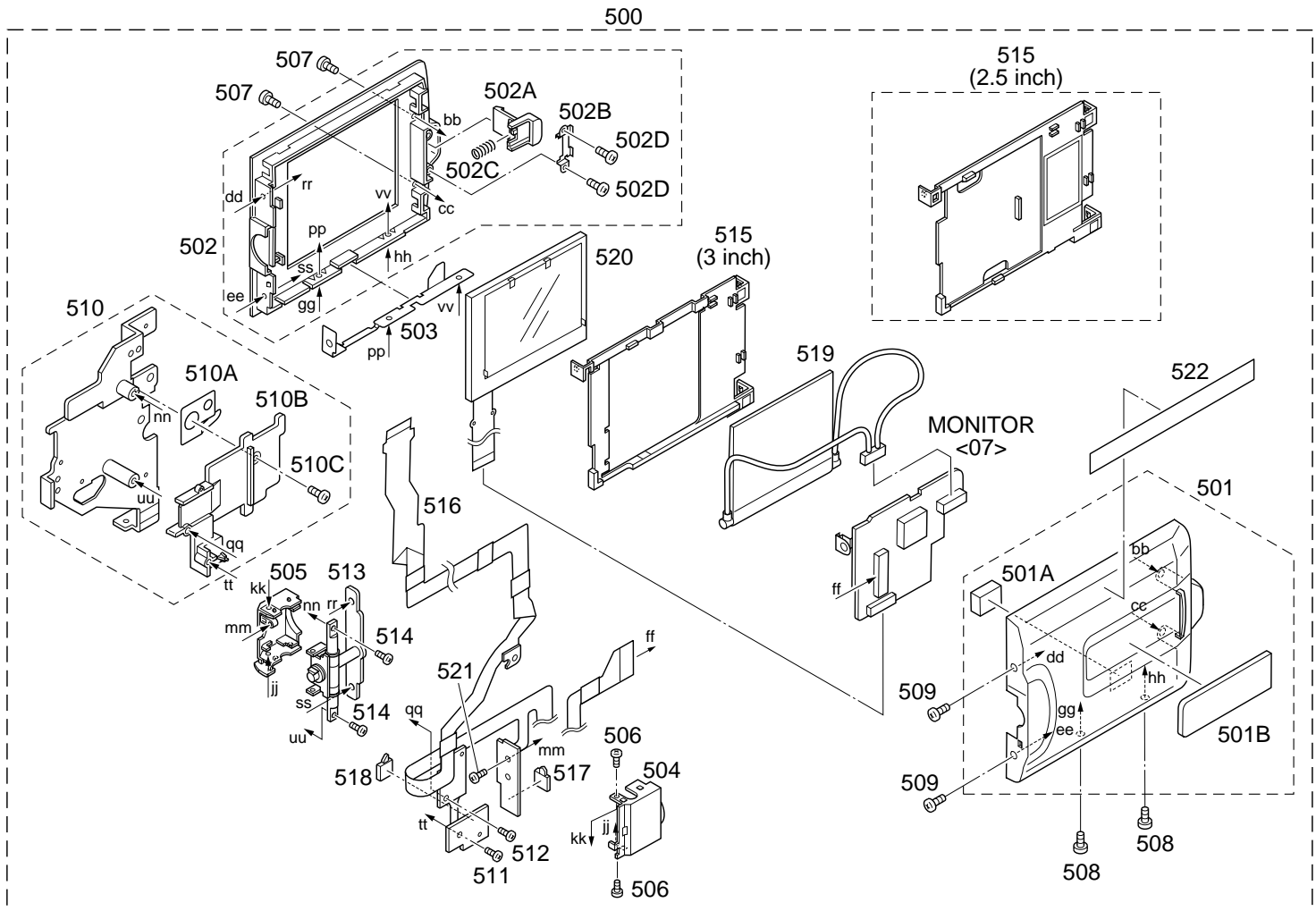
#	△ REF No.	PART No.	PART NAME, DESCRIPTION

ELECTRONIC VIEWFINDER ASSEMBLY <M4>

△	350	LY20686-001A	E.VF ASSY
△	351	PTY20307-002	TOP CASE
△	352	PTY20686-012	BOTTOM CASE ASSY

#	△ REF No.	PART No.	PART NAME, DESCRIPTION
△	353	YQ31803-001	CRY/DY ASSY
△	354	YU30181-014	HV COVER
△	355	PTY20307-100	INSULATOR
	356	YU30045-014	SCREW,X2
	357	PTY20307-200	LENS ASSY
	358	PTY20307-201	EYE CAP

5.5 MONITOR ASSEMBLY <M5>



#	△ REF No.	PART No.	PART NAME, DESCRIPTION

MONITOR ASSEMBLY <M5>			
△	500	LYH20217-001A	MONITOR ASSY,B,C
△		LYH20217-017A	MONITOR ASSY,A
△	501	LY20679-001A	M.COVER ASSY,B,C
△		LY20679-005A	M.COVER ASSY,A
	501A	LY30029-0B8A	SPACER(A)
	501B	LY32022-003A	WINDOW,A
		LY32022-004A	WINDOW,B,C
	502	LY32035-001A	M.CASE(3)ASSY,B,C
		LY32036-001A	M.CASE(2.5)ASSY,A
	502A	LY31954-001A	KNOB(LOCK)
	502B	LY42760-001A	BKT(LOCK)
	502C	LY30002-043A	COMPRES.SPRING
	502D	LY30018-063A	SPECIAL SCREW,X2
	503	LY31959-001A	BKT(M.CASE)
	504	LY31939-001A	HINGE COVER(U)
	505	LY31940-001A	HINGE COVER(L)
	506	LY30018-0C9A	SPECIAL SCREW,X2
	507	LY30018-011A	SPECIAL SCREW,X2

#	△ REF No.	PART No.	PART NAME, DESCRIPTION	
		508	LY30018-0C9A	SPECIAL SCREW,X2
		509	LY30018-0C5A	SPECIAL SCREW,X2
		510	LY32034-003A	BKT(UPPER)ASSY
		510A	LY42761-001A	EARTH PLATE
		510B	LY20652-003A	HOLDER
		510C	QYSLSP2025D	SCREW
		511	QYSLSF2040D	SCREW
		512	QYSLSP2070D	SCREW
		513	LY31957-001A	HINGE ASSY
		514	LY30018-090A	SPECIAL SCREW,X2
		515	LY20647-001A	HOLDER(3 PWB),B,C
			LY20672-001A	HOLDER(2.5PWB),A
		516	QAL0268-002	FPC
		517	NSW0095-001X	DETECT SWITCH
		518	NSW0105-001X	DETECT SWITCH
		519	QLL0093-001	BACK LIGHT,A
			QLL0094-001	BACK LIGHT,B,C
		520	QLD0118-001	LCD MODULE,B,C
			QLD0154-001	LCD MODULE,A
		521	LY30018-063A	SPECIAL SCREW
		522	LY32059-001A	STICKER(B),A
			LY32059-002A	STICKER(B),B,C

5.6 ELECTRICAL PARTS LIST

MODEL	MARK
GR-FXM37EG	A
GR-SXM607EG	B
GR-SXM607EK	C

#	REF No.	PART No.	PART NAME, DESCRIPTION

MAIN BOARD ASSEMBLY <01>			
PW		YB10310EB-01	MAIN BOARD ASSY,B
		YB10310EH-01	MAIN BOARD ASSY,A
		YB10310EV-01	MAIN BOARD ASSY,C
IC101		UPD703039-026	IC(MICRO C ROM),A
		or UPD70F3040-026	IC(MICRO C ROM),A
		UPD703039-027	IC(MICRO C ROM),B,C
		or UPD70F3040-027	IC(MICRO C ROM),B,C
IC102		TC7S86FU	IC(DIGITAL)
		or SN74AHC1G86K	IC
		or MC74VHC1G86DF	IC
IC104		AT25080N-10SC-X	IC
		or X25170S8I-2.5-X	IC
		or 25LC080-I/SN-X	IC
IC105		M62367GP	IC
IC106		IC-PST9327U-X	IC
IC107		RS5C314	IC
△ IC1601		BD6630KV	IC
IC1801		PIC-26043S	IR DETECT UNIT,B,C
IC2001		MC74AC04DT	IC
IC2401		NJM2073M-XE	IC
IC3001		JCY0130	IC
IC3002		74HC1G04GW	IC
IC3501		HA118224F	IC
IC4001		JCY0149	IC
IC4002		TMS4C2973-28-X	IC,B,C
IC4003		UPD6467GR-506-X	IC(MICRO C ROM)
IC4201		UPC358G2/5-W	IC
IC4202		BA10324AF-XE	IC
IC4251		BA10358F-XE	IC
IC4501		UPD16835G3	IC
IC4702		NJM2534V	IC,B
IC5201		HD49326BF	IC
IC5202		JCY0098	IC
IC6001		FA3698F	IC
IC7002		MN5814	IC
IC7006		BA4558F	IC
IC7007		TC7S04FU	IC(DIGITAL),A
		or SN74AHC1G04K	IC,A
		or MC74VHC1G04DF	IC,A
IC7008		SN74LV4052APW	IC
Q101		2SA1774/RS/-X	TRANSISTOR
Q102		DTC144EE	TRANSISTOR
Q103		2SC4617/QR/-X	TRANSISTOR
Q104		DTC144EE	TRANSISTOR
Q105		2SA1774/RS/-X	TRANSISTOR
Q110		DTC144EE	TRANSISTOR
Q111		DTC114EE	TRANSISTOR
Q112		DTC114EE	TRANSISTOR
Q113		2SC4097/QR/-X	TRANSISTOR
Q2001		DTA114TE	TRANSISTOR
Q2007		PUMX1	PAIR TRANSISTOR
		or HN1C01FU/G/-X	PAIR TRANSISTOR
		or UMX1N	PAIR TRANSISTOR
Q2008		PUMT1	PAIR TRANSISTOR
		or HN1A01FU/G/-X	PAIR TRANSISTOR
Q2021		DTC144EE	TRANSISTOR
Q2022		DTC144EE	TRANSISTOR

#	REF No.	PART No.	PART NAME, DESCRIPTION
		Q2023	2SC4617/QR/-X TRANSISTOR
		Q2071	2SC4617/QR/-X TRANSISTOR
		Q2401	DTC144EE TRANSISTOR
		Q2402	DTA144EE TRANSISTOR
		Q3002	PUMX1 PAIR TRANSISTOR
			or UMX1N PAIR TRANSISTOR
			or HN1C01FU/G/-X PAIR TRANSISTOR
		Q3003	2SC4097/QR/-X TRANSISTOR
		Q3006	DTC144EE TRANSISTOR,B,C
		Q3501	HN1C01FU/G/-X PAIR TRANSISTOR
		Q3502	HN1C01FU/G/-X PAIR TRANSISTOR
		Q3505	DTC144EE TRANSISTOR,B,C
		Q3901	HN1A01FU/G/-X PAIR TRANSISTOR
		Q4201	2SC4617/QR/-X TRANSISTOR
			or 2SC4738/YG/-X TRANSISTOR,C
		Q4251	RPM-22PB PHOTO TRANSISTOR
		Q4501	DTC114EE TRANSISTOR
		Q4701	PUMX1 PAIR TRANSISTOR
			or HN1C01FU/G/-X PAIR TRANSISTOR
		Q4702	2SC4617/QR/-X TRANSISTOR
			or 2SC4738/YG/-X TRANSISTOR,C
		Q4703	PUMX1 PAIR TRANSISTOR
			or HN1C01FU/G/-X PAIR TRANSISTOR
		Q4704	PUMT1 PAIR TRANSISTOR
			or HN1A01FU/G/-X PAIR TRANSISTOR
		Q4705	2SC4617/QR/-X TRANSISTOR,B
		Q4706	2SC4617/QR/-X TRANSISTOR,B
		Q4707	2SC4617/QR/-X TRANSISTOR,B
		Q4708	2SC4617/QR/-X TRANSISTOR,B
		Q4709	2SC4617/QR/-X TRANSISTOR,B
		Q4710	2SC4617/QR/-X TRANSISTOR,B
		Q4711	PUMX1 PAIR TRANSISTOR,B,C
			or HN1C01FU/G/-X PAIR TRANSISTOR,B,C
		Q4712	PUMT1 PAIR TRANSISTOR,B,C
			or HN1A01FU/G/-X PAIR TRANSISTOR,B,C
		Q4713	PUMX1 PAIR TRANSISTOR,B,C
			or HN1C01FU/G/-X PAIR TRANSISTOR,B,C
		Q4714	PUMT1 PAIR TRANSISTOR,B,C
			or HN1A01FU/G/-X PAIR TRANSISTOR,B,C
		Q4715	PUMX1 PAIR TRANSISTOR,B,C
			or HN1C01FU/G/-X PAIR TRANSISTOR,B,C
		Q4716	DTC144EE TRANSISTOR,B
		Q4717	DTA144EE TRANSISTOR,B
		Q6101	SSM6J07FU MOS FET
		Q6106	HN1C01FU/G/-X PAIR TRANSISTOR
		Q6107	SSM3J05FU MOS FET
		Q6201	SSM6J07FU MOS FET
		Q6301	CPH3304 MOS FET
		Q6306	SSM3K02F MOS FET,B,C
		Q6307	2SC4617/QR/-X TRANSISTOR
		Q6308	CPH3101 TRANSISTOR
		Q6401	SSM6J07FU MOS FET
		Q6501	SSM6J07FU MOS FET
		Q6601	CPH3304 MOS FET
		Q6608	DTC144EE TRANSISTOR
		Q6621	HN1C01FU/G/-X PAIR TRANSISTOR
		Q6622	2SA1577/QR/-X TRANSISTOR
		Q6701	FX802 TRANSISTOR
		Q6702	2SC4097/QR/-X TRANSISTOR
		Q6801	2SA1577/QR/-X TRANSISTOR
		Q6811	2SB1121/TU/-X TRANSISTOR

#	△	REF No.	PART No.	PART NAME, DESCRIPTION	#	△	REF No.	PART No.	PART NAME, DESCRIPTION
		Q7003	PUMX1	PAIR TRANSISTOR			R136	NRSA63J-474X	MG RESISTOR 470kΩ,1/16W
		Q7011	PUMX1	PAIR TRANSISTOR			R138	NRSA63J-333X	MG RESISTOR 33kΩ,1/16W
		Q7013	PUMX1	PAIR TRANSISTOR			R139	NRSA63J-104X	MG RESISTOR 100kΩ,1/16W
		Q7015	PUMX1	PAIR TRANSISTOR			R140	NRSA63J-753X	MG RESISTOR 75kΩ,1/16W
		Q7017	2SC4617/QR/-X	TRANSISTOR			R141	NRSA63J-334X	MG RESISTOR 330kΩ,1/16W
		Q7018	2SA1774/QR/-X	TRANSISTOR			R142	NRSA63J-103X	MG RESISTOR 10kΩ,1/16W
		Q7019	2SC4617/QR/-X	TRANSISTOR			R143	NRSA63J-105X	MG RESISTOR 1MΩ,1/16W
		Q7020	2SA1774/QR/-X	TRANSISTOR			R144	NRSA63J-221X	MG RESISTOR 220Ω,1/16W
		Q7022	DTC144EE	TRANSISTOR,A			R145	NRSA63J-222X	MG RESISTOR 2.2kΩ,1/16W
△		D101	SB007W03Q	SB DIODE			R146	NRSA63J-474X	MG RESISTOR 470kΩ,1/16W
		D102	UDZS7.5B	ZENER DIODE			R147	NRSA63J-472X	MG RESISTOR 4.7kΩ,1/16W
		D105	1SS355	DIODE			R148	NRSA63J-0R0X	MG RESISTOR 0Ω,1/16W
		D106	1SS355	DIODE			R149	NRSA63J-104X	MG RESISTOR 100kΩ,1/16W
		D107	SB007W03Q	SB DIODE			R150	NRSA63J-222X	MG RESISTOR 2.2kΩ,1/16W
		D501	MA8068	ZENER DIODE			R151	NRSA63J-222X	MG RESISTOR 2.2kΩ,1/16W
		D502	MA8068	ZENER DIODE			R152	NRSA63J-474X	MG RESISTOR 470kΩ,1/16W
		D3001	DAN222	DIODE,B,C			R153	NRSA63J-474X	MG RESISTOR 470kΩ,1/16W
		D5201	1SS355	DIODE			R158	NRSA63J-474X	MG RESISTOR 470kΩ,1/16W
		D6001	CRS03	SB DIODE			R159	NRSA63J-474X	MG RESISTOR 470kΩ,1/16W
		D6101	CRS03	SB DIODE			R160	NRSA63J-474X	MG RESISTOR 470kΩ,1/16W
		D6106	1SS357	SB DIODE			R161	NRSA63J-104X	MG RESISTOR 100kΩ,1/16W
		D6201	CRS03	SB DIODE			R162	NRSA63J-472X	MG RESISTOR 4.7kΩ,1/16W
		D6301	CRS03	SB DIODE			R163	NRSA63J-221X	MG RESISTOR 220Ω,1/16W
		D6401	CRS03	SB DIODE			R164	NRSA63J-472X	MG RESISTOR 4.7kΩ,1/16W
		D6501	CRS03	SB DIODE			R166	NRSA63J-103X	MG RESISTOR 10kΩ,1/16W
		D6601	1SS383	SB DIODE			R167	NRSA63J-183X	MG RESISTOR 18kΩ,1/16W
		D6616	UDZS8.2B	ZENER DIODE			R168	NRSA63J-562X	MG RESISTOR 5.6kΩ,1/16W
		D7002	MA365	VARI CAP DIODE			R170	NRSA63J-333X	MG RESISTOR 33kΩ,1/16W
		D7004	RB471E	SB DIODE			R171	NRSA63J-104X	MG RESISTOR 100kΩ,1/16W
		R101	NRSA63J-104X	MG RESISTOR 100kΩ,1/16W			R172	NRSA63J-151X	MG RESISTOR 150Ω,1/16W
△		R104	NRSA63J-102X	MG RESISTOR 1kΩ,1/16W			R173	NRSA63J-0R0X	MG RESISTOR 0Ω,1/16W
		R105	NRSA63J-103X	MG RESISTOR 10kΩ,1/16W			R174	NRSA63J-0R0X	MG RESISTOR 0Ω,1/16W
		R106	NRSA63J-561X	MG RESISTOR 560Ω,1/16W			R175	NRSA63J-105X	MG RESISTOR 1MΩ,1/16W
		R107	NRVA63D-153X	CMF RESISTOR 15kΩ,1/16W			R176	NRSA63J-221X	MG RESISTOR 220Ω,1/16W
		R108	NRVA63D-243X	CMF RESISTOR 24kΩ,1/16W			R180	NRSA63J-331X	MG RESISTOR 330Ω,1/16W
		R109	NRVA63D-183X	CMF RESISTOR 18kΩ,1/16W			R182	NRSA63J-222X	MG RESISTOR 2.2kΩ,1/16W
		R110	NRSA63J-103X	MG RESISTOR 10kΩ,1/16W			R183	NRSA63J-222X	MG RESISTOR 2.2kΩ,1/16W
		R111	NRSA63J-273X	MG RESISTOR 27kΩ,1/16W			R184	NRSA63J-222X	MG RESISTOR 2.2kΩ,1/16W
		R112	NRSA63J-331X	MG RESISTOR 330Ω,1/16W			R188	NRSA63J-222X	MG RESISTOR 2.2kΩ,1/16W
		R113	NRSA63J-562X	MG RESISTOR 5.6kΩ,1/16W			R190	NRSA63J-331X	MG RESISTOR 330Ω,1/16W
		R114	NRSA63J-821X	MG RESISTOR 820Ω,1/16W			R191	NRSA63J-0R0X	MG RESISTOR 0Ω,1/16W
		R115	NRSA63J-101X	MG RESISTOR 100Ω,1/16W			R192	NRSA63J-105X	MG RESISTOR 1MΩ,1/16W
		R116	NRSA63J-102X	MG RESISTOR 1kΩ,1/16W			R195	NRSA63J-0R0X	MG RESISTOR 0Ω,1/16W
		R118	NRSA63J-103X	MG RESISTOR 10kΩ,1/16W			R504	NRSA63J-221X	MG RESISTOR 220Ω,1/16W
		R119	NRSA63J-103X	MG RESISTOR 10kΩ,1/16W			R505	NRSA63J-331X	MG RESISTOR 330Ω,1/16W
		R120	NRSA63J-273X	MG RESISTOR 27kΩ,1/16W			R1601	NRV142F-R33X	CMF RESISTOR 0.33Ω,1/4W
		R121	NRSA63J-273X	MG RESISTOR 27kΩ,1/16W			R1602	NRV142F-R33X	CMF RESISTOR 0.33Ω,1/4W
		R122	NRSA63J-393X	MG RESISTOR 39kΩ,1/16W			R1603	NRSA63J-154X	MG RESISTOR 150kΩ,1/16W
		R123	NRSA63J-104X	MG RESISTOR 100kΩ,1/16W			R1604	NRSA63J-102X	MG RESISTOR 1kΩ,1/16W
		R124	NRSA63J-104X	MG RESISTOR 100kΩ,1/16W			R1605	NRSA63J-102X	MG RESISTOR 1kΩ,1/16W
		R125	NRSA63J-273X	MG RESISTOR 27kΩ,1/16W			R1606	NRSA63J-102X	MG RESISTOR 1kΩ,1/16W
		R126	NRSA63J-153X	MG RESISTOR 15kΩ,1/16W			R1607	NRSA63J-104X	MG RESISTOR 100kΩ,1/16W
		R127	NRSA63J-221X	MG RESISTOR 220Ω,1/16W			R1608	NRSA63J-104X	MG RESISTOR 100kΩ,1/16W
		R128	NRSA63J-102X	MG RESISTOR 1kΩ,1/16W			R1609	NRSA63J-333X	MG RESISTOR 33kΩ,1/16W
		R129	NRSA63J-102X	MG RESISTOR 1kΩ,1/16W			R1610	NRSA63J-103X	MG RESISTOR 10kΩ,1/16W
		R130	NRSA63J-105X	MG RESISTOR 1MΩ,1/16W			R1612	NRSA63J-392X	MG RESISTOR 3.9kΩ,1/16W
		R131	NRSA63J-105X	MG RESISTOR 1MΩ,1/16W			R1613	NRSA63J-104X	MG RESISTOR 100kΩ,1/16W
		R132	NRSA63J-105X	MG RESISTOR 1MΩ,1/16W			R1614	NRSA63J-333X	MG RESISTOR 33kΩ,1/16W
		R133	NRSA63J-105X	MG RESISTOR 1MΩ,1/16W			R1615	NRSA63J-103X	MG RESISTOR 10kΩ,1/16W
		R134	NRSA63J-105X	MG RESISTOR 1MΩ,1/16W			R1617	NRSA63J-183X	MG RESISTOR 18kΩ,1/16W
		R135	NRSA63J-104X	MG RESISTOR 100kΩ,1/16W			R1618	NRSA63J-154X	MG RESISTOR 150kΩ,1/16W

#	△ REF No.	PART No.	PART NAME, DESCRIPTION	#	△ REF No.	PART No.	PART NAME, DESCRIPTION
R1619		NRSA63J-471X	MG RESISTOR 470Ω,1/16W	R3038		NRSA63J-392X	MG RESISTOR 3.9kΩ,1/16W
R1620		NRSA63J-684X	MG RESISTOR 680kΩ,1/16W	R3501		NRSA63J-221X	MG RESISTOR 220Ω,1/16W
R1621		NRSA63J-102X	MG RESISTOR 1kΩ,1/16W	R3502		NRSA63J-102X	MG RESISTOR 1kΩ,1/16W
R1622		NRSA63J-224X	MG RESISTOR 220kΩ,1/16W	R3504		NRSA63J-102X	MG RESISTOR 1kΩ,1/16W
R1623		NRSA63J-223X	MG RESISTOR 22kΩ,1/16W	R3505		NRSA63J-102X	MG RESISTOR 1kΩ,1/16W
R1624		NRSA63J-104X	MG RESISTOR 100kΩ,1/16W	R3506		NRSA63J-102X	MG RESISTOR 1kΩ,1/16W
R1625		NRSA63J-104X	MG RESISTOR 100kΩ,1/16W	R3507		NRSA63J-101X	MG RESISTOR 100Ω,1/16W
R1626		NRSA63J-104X	MG RESISTOR 100kΩ,1/16W	R3508		NRSA63J-153X	MG RESISTOR 15kΩ,1/16W
R1628		NRSA63J-0R0X	MG RESISTOR 0Ω,1/16W	R3901		NRSA63J-100X	MG RESISTOR 10Ω,1/16W
R1629		NRSA63J-0R0X	MG RESISTOR 0Ω,1/16W	R3902		NRSA63J-101X	MG RESISTOR 100Ω,1/16W
R1630		NRSA63J-0R0X	MG RESISTOR 0Ω,1/16W	R3903		NRSA63J-182X	MG RESISTOR 1.8kΩ,1/16W
R1631		NRSA63J-122X	MG RESISTOR 1.2kΩ,1/16W	R4001		NRSA63J-113X	MG RESISTOR 11kΩ,1/16W
R1632		NRSA63J-153X	MG RESISTOR 15kΩ,1/16W	R4002		NRSA63J-123X	MG RESISTOR 12kΩ,1/16W
R1633		NRSA63J-683X	MG RESISTOR 68kΩ,1/16W	R4003		NRSA63J-153X	MG RESISTOR 15kΩ,1/16W
R2001		NRSA63J-104X	MG RESISTOR 100kΩ,1/16W	R4004		NRSA63J-103X	MG RESISTOR 10kΩ,1/16W
R2002		NRSA63J-332X	MG RESISTOR 3.3kΩ,1/16W	R4006		NRVA63D-103X	CMF RESISTOR 10kΩ,1/16W
R2003		NRSA63J-102X	MG RESISTOR 1kΩ,1/16W	R4007		NRVA63D-392X	CMF RESISTOR 3.9kΩ,1/16W
R2004		NRSA63J-681X	MG RESISTOR 680Ω,1/16W	R4008		NRVA63D-272X	CMF RESISTOR 2.7kΩ,1/16W
R2005		NRSA63J-272X	MG RESISTOR 2.7kΩ,1/16W	R4009		NRVA63D-152X	CMF RESISTOR 1.5kΩ,1/16W
R2006		NRSA63J-102X	MG RESISTOR 1kΩ,1/16W	R4010		NRVA63D-122X	CMF RESISTOR 1.2kΩ,1/16W
R2011		NRSA63J-101X	MG RESISTOR 100Ω,1/16W	R4011		NRVA63D-152X	CMF RESISTOR 1.5kΩ,1/16W
R2012		NRSA63J-101X	MG RESISTOR 100Ω,1/16W	R4012		NRVA63D-122X	CMF RESISTOR 1.2kΩ,1/16W
R2021		NRSA63J-103X	MG RESISTOR 10kΩ,1/16W	R4013		NRVA63D-152X	CMF RESISTOR 1.5kΩ,1/16W
R2022		NRSA63J-334X	MG RESISTOR 330kΩ,1/16W	R4014		NRVA63D-122X	CMF RESISTOR 1.2kΩ,1/16W
R2023		NRSA63J-820X	MG RESISTOR 82Ω,1/16W	R4036		NRSA63J-0R0X	MG RESISTOR 0Ω,1/16W
R2024		NRVA63D-183X	CMF RESISTOR 18kΩ,1/16W	R4037		NRSA63J-102X	MG RESISTOR 1kΩ,1/16W
R2025		NRSA63J-823X	MG RESISTOR 82kΩ,1/16W	R4201		NRSA63J-103X	MG RESISTOR 10kΩ,1/16W
R2026		NRSA63J-0R0X	MG RESISTOR 0Ω,1/16W	R4202		NRSA63J-563X	MG RESISTOR 56kΩ,1/16W
R2027		NRSA63J-102X	MG RESISTOR 1kΩ,1/16W	R4203		NRSA63J-103X	MG RESISTOR 10kΩ,1/16W
R2028		NRSA63J-102X	MG RESISTOR 1kΩ,1/16W	R4204		NRSA63J-331X	MG RESISTOR 330Ω,1/16W
R2029		NRSA63J-0R0X	MG RESISTOR 0Ω,1/16W	R4205		NRSA63J-105X	MG RESISTOR 1MΩ,1/16W
R2030		NRSA63J-104X	MG RESISTOR 100kΩ,1/16W	R4206		NRSA63J-103X	MG RESISTOR 10kΩ,1/16W
R2031		NRSA63J-332X	MG RESISTOR 3.3kΩ,1/16W	R4207		NRSA63J-104X	MG RESISTOR 100kΩ,1/16W
R2032		NRSA63J-270X	MG RESISTOR 27Ω,1/16W	R4208		NRSA63J-472X	MG RESISTOR 4.7kΩ,1/16W
R2051		NRSA63J-102X	MG RESISTOR 1kΩ,1/16W	R4209		NRSA63J-104X	MG RESISTOR 100kΩ,1/16W
R2071		NRSA63J-473X	MG RESISTOR 47kΩ,1/16W	R4210		NRSA63J-105X	MG RESISTOR 1MΩ,1/16W
R2072		NRSA63J-562X	MG RESISTOR 5.6kΩ,1/16W	R4211		NRSA63J-243X	MG RESISTOR 24kΩ,1/16W
R2401		NRSA63J-683X	MG RESISTOR 68kΩ,1/16W	R4214		NRSA63J-472X	MG RESISTOR 4.7kΩ,1/16W
R2402		NRSA63J-122X	MG RESISTOR 1.2kΩ,1/16W	R4215		NRSA63J-683X	MG RESISTOR 68kΩ,1/16W
R2403		NRSA63J-2R2X	MG RESISTOR 2.2Ω,1/16W	R4216		NRSA63J-103X	MG RESISTOR 10kΩ,1/16W
R2404		NRSA63J-2R2X	MG RESISTOR 2.2Ω,1/16W	R4217		NRSA63J-102X	MG RESISTOR 1kΩ,1/16W
R2405		NRSA63J-473X	MG RESISTOR 47kΩ,1/16W	R4218		NRSA63J-102X	MG RESISTOR 1kΩ,1/16W
R2406		NRSA63J-473X	MG RESISTOR 47kΩ,1/16W	R4219		NRSA63J-104X	MG RESISTOR 100kΩ,1/16W
R3001		NRSA63J-105X	MG RESISTOR 1MΩ,1/16W	R4220		NRSA63J-152X	MG RESISTOR 1.5kΩ,1/16W
R3002		NRVA63D-471X	CMF RESISTOR 470Ω,1/16W	R4221		NRSA63J-334X	MG RESISTOR 330kΩ,1/16W
R3004		NRVA63D-333X	CMF RESISTOR 33kΩ,1/16W	R4222		NRSA63J-154X	MG RESISTOR 150kΩ,1/16W
R3006		NRVA63D-561X	CMF RESISTOR 560Ω,1/16W	R4223		NRSA63J-333X	MG RESISTOR 33kΩ,1/16W
R3007		NRVA63D-183X	CMF RESISTOR 18kΩ,1/16W	R4224		NRSA63J-223X	MG RESISTOR 22kΩ,1/16W
R3008		NRSA63J-393X	MG RESISTOR 39kΩ,1/16W	R4251		NRSA63J-182X	MG RESISTOR 1.8kΩ,1/16W
R3009		NRSA63J-272X	MG RESISTOR 2.7kΩ,1/16W	R4252		NRSA63J-103X	MG RESISTOR 10kΩ,1/16W
R3010		NRSA63J-332X	MG RESISTOR 3.3kΩ,1/16W	R4253		NRSA63J-103X	MG RESISTOR 10kΩ,1/16W
R3014		NRSA63J-681X	MG RESISTOR 680Ω,1/16W	R4254		NRSA63J-684X	MG RESISTOR 680kΩ,1/16W
R3015		NRSA63J-332X	MG RESISTOR 3.3kΩ,1/16W	R4255		NRSA63J-222X	MG RESISTOR 2.2kΩ,1/16W
R3016		NRSA63J-332X	MG RESISTOR 3.3kΩ,1/16W	R4256		NRSA63J-824X	MG RESISTOR 820kΩ,1/16W
R3018		NRSA63J-271X	MG RESISTOR 270Ω,1/16W	R4257		NRSA63J-822X	MG RESISTOR 8.2kΩ,1/16W
R3023		NRSA63J-331X	MG RESISTOR 330Ω,1/16W	R4258		NRSA63J-104X	MG RESISTOR 100kΩ,1/16W
R3027		NRSA63J-103X	MG RESISTOR, B,C 10kΩ,1/16W	R4259		NRSA63J-683X	MG RESISTOR 68kΩ,1/16W
R3028		NRVA63D-472X	CMF RESISTOR 4.7kΩ,1/16W	R4262		NRSA63J-302X	MG RESISTOR 3kΩ,1/16W
R3029		NRSA63J-0R0X	MG RESISTOR 0Ω,1/16W	△ R4501		NRSA63J-6R8X	MG RESISTOR 6.8Ω,1/16W
R3030		NRSA63J-561X	MG RESISTOR 560Ω,1/16W	△ R4502		NRSA63J-6R8X	MG RESISTOR 6.8Ω,1/16W
R3034		NRSA63J-220X	MG RESISTOR 22Ω,1/16W	△ R4503		NRSA63J-6R8X	MG RESISTOR 6.8Ω,1/16W

#	△	REF No.	PART No.	PART NAME, DESCRIPTION		#	△	REF No.	PART No.	PART NAME, DESCRIPTION	
△		R4504	NRSA63J-6R8X	MG RESISTOR	6.8Ω, 1/16W			R5218	NRSA63J-0R0X	MG RESISTOR	0Ω, 1/16W
		R4505	NRSA63J-271X	MG RESISTOR	270Ω, 1/16W			R5220	NRSA63J-0R0X	MG RESISTOR	0Ω, 1/16W
		R4507	NRSA63J-103X	MG RESISTOR	10kΩ, 1/16W			R6001	NRSA63J-104X	MG RESISTOR	100kΩ, 1/16W
		R4508	NRSA63J-103X	MG RESISTOR	10kΩ, 1/16W			R6002	NRSA63J-333X	MG RESISTOR	33kΩ, 1/16W
		R4514	NRSA63J-223X	MG RESISTOR	22kΩ, 1/16W			R6003	NRVA63D-912X	CMF RESISTOR	9.1kΩ, 1/16W
		R4515	NRSA63J-182X	MG RESISTOR	1.8kΩ, 1/16W			R6004	NRVA63D-471X	CMF RESISTOR	470Ω, 1/16W
		R4701	NRSA63J-0R0X	MG RESISTOR,A	0Ω, 1/16W			R6005	NRVA63D-183X	CMF RESISTOR	18kΩ, 1/16W
		R4702	NRSA63J-101X	MG RESISTOR,B,C	100Ω, 1/16W			R6006	NRSA63J-472X	MG RESISTOR	4.7kΩ, 1/16W
			NRSA63J-750X	MG RESISTOR,A	75Ω, 1/16W			R6008	NRVA63D-183X	CMF RESISTOR	18kΩ, 1/16W
		R4703	NRVA63D-561X	CMF RESISTOR	560Ω, 1/16W			R6009	NRSA63J-224X	MG RESISTOR	220kΩ, 1/16W
		R4704	NRVA63D-271X	CMF RESISTOR	270Ω, 1/16W			R6010	NRSA63J-473X	MG RESISTOR	47kΩ, 1/16W
		R4705	NRVA63D-471X	CMF RESISTOR	470Ω, 1/16W			R6011	NRSA63J-473X	MG RESISTOR	47kΩ, 1/16W
		R4706	NRSA63J-681X	MG RESISTOR	680Ω, 1/16W			R6012	NRSA63J-103X	MG RESISTOR	10kΩ, 1/16W
		R4707	NRSA63J-122X	MG RESISTOR	1.2kΩ, 1/16W			R6015	NRSA63J-104X	MG RESISTOR	100kΩ, 1/16W
		R4708	NRSA63J-104X	MG RESISTOR	100kΩ, 1/16W			R6016	NRSA63J-104X	MG RESISTOR	100kΩ, 1/16W
		R4709	NRSA63J-332X	MG RESISTOR	3.3kΩ, 1/16W			R6019	NRSA63J-222X	MG RESISTOR	2.2kΩ, 1/16W
		R4710	NRSA63J-332X	MG RESISTOR	3.3kΩ, 1/16W			R6103	NRVA63D-223X	CMF RESISTOR	22kΩ, 1/16W
		R4711	NRSA63J-151X	MG RESISTOR,B,C	150Ω, 1/16W			R6104	NRVA63D-103X	CMF RESISTOR	10kΩ, 1/16W
		R4712	NRVA63D-561X	CMF RESISTOR,B,C	560Ω, 1/16W			R6106	NRSA63J-333X	MG RESISTOR	33kΩ, 1/16W
		R4713	NRSA63J-681X	MG RESISTOR,B,C	680Ω, 1/16W			R6107	NRSA63J-222X	MG RESISTOR	2.2kΩ, 1/16W
		R4714	NRSA63J-122X	MG RESISTOR,B,C	1.2kΩ, 1/16W			R6108	NRVA63D-153X	CMF RESISTOR	15kΩ, 1/16W
		R4715	NRSA63J-0R0X	MG RESISTOR,C	0Ω, 1/16W			R6109	NRVA63D-103X	CMF RESISTOR	10kΩ, 1/16W
		R4716	NRVA63D-561X	CMF RESISTOR,B,C	560Ω, 1/16W			R6110	NRSA63J-0R0X	MG RESISTOR	0Ω, 1/16W
		R4717	NRVA63D-222X	CMF RESISTOR,B,C	2.2kΩ, 1/16W			R6203	NRVA63D-103X	CMF RESISTOR	10kΩ, 1/16W
		R4718	NRSA63J-104X	MG RESISTOR,B,C	100kΩ, 1/16W			R6204	NRVA63D-103X	CMF RESISTOR	10kΩ, 1/16W
		R4719	NRSA63J-222X	MG RESISTOR,B,C	2.2kΩ, 1/16W			R6303	NRVA63D-183X	CMF RESISTOR	18kΩ, 1/16W
		R4720	NRSA63J-0R0X	MG RESISTOR,A	0Ω, 1/16W			R6304	NRVA63D-472X	CMF RESISTOR	4.7kΩ, 1/16W
		R4721	NRVA63D-750X	CMF RESISTOR,B,C	75Ω, 1/16W			R6306	NRS12BK-R47W	MG RESISTOR	0.47Ω, 1/2W
		R4722	NRVA63D-680X	CMF RESISTOR	68Ω, 1/16W			R6307	NRSA63J-104X	MG RESISTOR,B,C	100kΩ, 1/16W
		R4723	NRVA63D-680X	CMF RESISTOR,B,C	68Ω, 1/16W			R6309	NRSA63J-103X	MG RESISTOR	10kΩ, 1/16W
		R4724	NRSA63J-391X	MG RESISTOR,B	390Ω, 1/16W			R6310	NRSA63J-152X	MG RESISTOR	1.5kΩ, 1/16W
		R4725	NRSA63J-822X	MG RESISTOR,B	8.2kΩ, 1/16W			R6311	NRSA63J-473X	MG RESISTOR	47kΩ, 1/16W
		R4726	NRSA63J-121X	MG RESISTOR,B	120Ω, 1/16W			R6403	NRSA63J-473X	MG RESISTOR	47kΩ, 1/16W
		R4727	NRSA63J-102X	MG RESISTOR,B	1kΩ, 1/16W			R6404	NRSA63J-302X	MG RESISTOR	3kΩ, 1/16W
		R4728	NRSA63J-471X	MG RESISTOR,B	470Ω, 1/16W			R6406	NRSA63J-183X	MG RESISTOR	18kΩ, 1/16W
		R4729	NRSA63J-153X	MG RESISTOR,B	15kΩ, 1/16W			R6407	NRSA63J-823X	MG RESISTOR	82kΩ, 1/16W
		R4730	NRSA63J-103X	MG RESISTOR,B	10kΩ, 1/16W			R6503	NRSA63J-243X	MG RESISTOR	24kΩ, 1/16W
		R4731	NRSA63J-102X	MG RESISTOR,B	1kΩ, 1/16W			R6504	NRSA63J-332X	MG RESISTOR	3.3kΩ, 1/16W
		R4732	NRSA63J-222X	MG RESISTOR,B	2.2kΩ, 1/16W			R6506	NRSA63J-223X	MG RESISTOR	22kΩ, 1/16W
		R4733	NRSA63J-102X	MG RESISTOR,B	1kΩ, 1/16W			R6507	NRSA63J-823X	MG RESISTOR	82kΩ, 1/16W
		R4734	NRSA63J-102X	MG RESISTOR,B	1kΩ, 1/16W			R6603	NRVA63D-683X	CMF RESISTOR	68kΩ, 1/16W
		R4735	NRSA63J-332X	MG RESISTOR,B,C	3.3kΩ, 1/16W			R6604	NRVA63D-392X	CMF RESISTOR	3.9kΩ, 1/16W
		R4736	NRSA63J-332X	MG RESISTOR,B,C	3.3kΩ, 1/16W			R6605	NRSA63J-274X	MG RESISTOR	270kΩ, 1/16W
		R4737	NRSA63J-104X	MG RESISTOR,B,C	100kΩ, 1/16W			R6606	NRSA63J-272X	MG RESISTOR	2.7kΩ, 1/16W
		R4738	NRSA63J-332X	MG RESISTOR,B,C	3.3kΩ, 1/16W			R6612	NRSA63J-823X	MG RESISTOR	82kΩ, 1/16W
		R4739	NRSA63J-332X	MG RESISTOR,B,C	3.3kΩ, 1/16W			R6613	NRSA63J-104X	MG RESISTOR	100kΩ, 1/16W
		R4741	NRVA63D-152X	CMF RESISTOR,B,C	1.5kΩ, 1/16W			R6614	NRSA63J-472X	MG RESISTOR	4.7kΩ, 1/16W
		R4743	NRVA63D-153X	CMF RESISTOR,B,C	15kΩ, 1/16W			R6616	NRSA63J-392X	MG RESISTOR	3.9kΩ, 1/16W
		R4744	NRVA63D-222X	CMF RESISTOR,B,C	2.2kΩ, 1/16W			R6622	NRVA63D-104X	CMF RESISTOR	100kΩ, 1/16W
		R4745	NRSA63J-471X	MG RESISTOR,B,C	470Ω, 1/16W			R6623	NRVA63D-473X	CMF RESISTOR	47kΩ, 1/16W
		R4746	NRVA63D-222X	CMF RESISTOR,B,C	2.2kΩ, 1/16W			R6624	NRSA63J-273X	MG RESISTOR	27kΩ, 1/16W
		R4747	NRVA63D-471X	CMF RESISTOR,B,C	470Ω, 1/16W			R6625	NRSA63J-822X	MG RESISTOR	8.2kΩ, 1/16W
		R5201	NRSA63J-243X	MG RESISTOR	24kΩ, 1/16W			R6626	NRVA63D-563X	CMF RESISTOR	56kΩ, 1/16W
		R5202	NRSA63J-220X	MG RESISTOR	22Ω, 1/16W			R6627	NRVA63D-363X	CMF RESISTOR	36kΩ, 1/16W
		R5204	NRSA63J-0R0X	MG RESISTOR	0Ω, 1/16W			R6701	NRSA63J-680X	MG RESISTOR	68Ω, 1/16W
		R5212	NRSA63J-101X	MG RESISTOR	100Ω, 1/16W			R6702	NRSA63J-221X	MG RESISTOR	220Ω, 1/16W
		R5213	NRSA63J-101X	MG RESISTOR	100Ω, 1/16W			R6704	NRVA63D-472X	CMF RESISTOR	4.7kΩ, 1/16W
		R5214	NRSA63J-101X	MG RESISTOR	100Ω, 1/16W			R6706	NRZ0058-R20X	MG RESISTOR	0.2Ω, 1/2W
		R5215	NRSA63J-104X	MG RESISTOR	100kΩ, 1/16W			R6707	NRS016J-121X	MG RESISTOR	120Ω, 1W
		R5216	NRSA63J-100X	MG RESISTOR	10Ω, 1/16W			R6708	NRS016J-121X	MG RESISTOR	120Ω, 1W
		R5217	NRSA63J-104X	MG RESISTOR	100kΩ, 1/16W			R6709	NRS016J-121X	MG RESISTOR	120Ω, 1W

#	△ REF No.	PART No.	PART NAME, DESCRIPTION	#	△ REF No.	PART No.	PART NAME, DESCRIPTION
R6710		NRVA63D-823X	CMF RESISTOR 82kΩ,1/16W	R7139		NRVA63D-911X	CMF RESISTOR 910Ω,1/16W
R6711		NRVA63D-333X	CMF RESISTOR 33kΩ,1/16W	R7142		NRSA63J-0R0X	MG RESISTOR,B,C 0Ω,1/16W
R6712		NRSA63J-222X	MG RESISTOR 2.2kΩ,1/16W	R7143		NRSA63J-0R0X	MG RESISTOR,A 0Ω,1/16W
R6713		NRSA63J-562X	MG RESISTOR 5.6kΩ,1/16W	RA101		NRZ0038-222X	NETWORK RESISTOR 2.2kΩ
R6801		NRSA63J-102X	MG RESISTOR 1kΩ,1/16W	RA102		NRZ0038-222X	NETWORK RESISTOR 2.2kΩ
R6803		NRVA63D-223X	CMF RESISTOR 22kΩ,1/16W	RA103		NRZ0038-222X	NETWORK RESISTOR 2.2kΩ
R6804		NRVA63D-103X	CMF RESISTOR 10kΩ,1/16W	RA104		NRZ0038-222X	NETWORK RESISTOR 2.2kΩ
R6810		NRSA63J-0R0X	MG RESISTOR 0Ω,1/16W	RA105		NRZ0038-473X	NETWORK RESISTOR 47kΩ
R6811		NRSA63J-102X	MG RESISTOR 1kΩ,1/16W	RA106		NRZ0037-331X	NETWORK RESISTOR 330Ω
R6813		NRVA63D-104X	CMF RESISTOR 100kΩ,1/16W	RA107		NRZ0034-102W	NETWORK RESISTOR 1kΩ
R6814		NRVA63D-683X	CMF RESISTOR 68kΩ,1/16W	RA108		NRZ0034-102W	NETWORK RESISTOR 1kΩ
R6820		NRSA63J-102X	MG RESISTOR 1kΩ,1/16W	RA109		NRZ0038-474X	NETWORK RESISTOR 470kΩ
R7010		NRSA63J-0R0X	MG RESISTOR 0Ω,1/16W	C102		NCF31EZ-104X	CAPACITOR 0.1μF,25V
R7021		NRSA63J-0R0X	MG RESISTOR,B,C 0Ω,1/16W	C103		NBE41AM-106X	T CAPACITOR 10μF,10V
R7029		NRSA63J-0R0X	MG RESISTOR,B,C 0Ω,1/16W	C104		NCB31EK-103X	CAPACITOR 0.01μF,25V
R7031		NRSA63J-474X	MG RESISTOR 470kΩ,1/16W	C105		NCB31EK-104X	CAPACITOR 0.1μF,16V
R7032		NRSA63J-223X	MG RESISTOR 22kΩ,1/16W	C106		NCF31EZ-104X	CAPACITOR 0.1μF,25V
R7033		NRSA63J-104X	MG RESISTOR 100kΩ,1/16W	C107		NCB31EK-103X	CAPACITOR 0.01μF,25V
R7035		NRSA63J-103X	MG RESISTOR 10kΩ,1/16W	C108		NBE21AM-225X	T CAPACITOR 2.2μF,10V
R7040		NRVA63D-333X	CMF RESISTOR 33kΩ,1/16W	C109		NBE41AM-106X	T CAPACITOR 10μF,10V
R7042		NRVA63D-123X	CMF RESISTOR 12kΩ,1/16W	C110		NDC31HJ-101X	CAPACITOR 100pF,50V
R7043		NRVA63D-123X	CMF RESISTOR 12kΩ,1/16W	C111		NEA70JM-226X	E CAPACITOR 22μF,6.3V
R7044		NRVA63D-432X	CMF RESISTOR,B,C 4.3kΩ,1/16W	C112		NEA70JM-226X	E CAPACITOR 22μF,6.3V
		NRVA63D-752X	CMF RESISTOR,A 7.5kΩ,1/16W	C113		NCB31EK-103X	CAPACITOR 0.01μF,25V
R7045		NRVA63D-103X	CMF RESISTOR 10kΩ,1/16W	C114		NCB31EK-103X	CAPACITOR 0.01μF,25V
R7046		NRSA63J-103X	MG RESISTOR,A 10kΩ,1/16W	C115		NCF31EZ-104X	CAPACITOR 0.1μF,25V
R7049		NRSA63J-470X	MG RESISTOR 47Ω,1/16W	C116		NCB31EK-103X	CAPACITOR 0.01μF,25V
R7050		NRSA63J-470X	MG RESISTOR 47Ω,1/16W	C118		NCF31EZ-104X	CAPACITOR 0.1μF,25V
R7051		NRSA63J-470X	MG RESISTOR 47Ω,1/16W	C119		NCB31EK-103X	CAPACITOR 0.01μF,25V
R7057		NRSA63J-0R0X	MG RESISTOR 0Ω,1/16W	C120		NCB31EK-103X	CAPACITOR 0.01μF,25V
R7067		NRSA63J-223X	MG RESISTOR,A 22kΩ,1/16W	C121		NCF31EZ-104X	CAPACITOR 0.1μF,25V
		NRSA63J-682X	MG RESISTOR,B,C 6.8kΩ,1/16W	C122		NCF31EZ-104X	CAPACITOR 0.1μF,25V
R7068		NRSA63J-223X	MG RESISTOR 22kΩ,1/16W	C123		NDC31HJ-100X	CAPACITOR 10pF,50V
R7069		NRSA63J-223X	MG RESISTOR 22kΩ,1/16W	C124		NDC31HJ-100X	CAPACITOR 10pF,50V
R7070		NRSA63J-223X	MG RESISTOR 22kΩ,1/16W	C125		NCB31EK-103X	CAPACITOR 0.01μF,25V
R7071		NRSA63J-223X	MG RESISTOR 22kΩ,1/16W	C126		NDC31HJ-120X	CAPACITOR 12pF,50V
R7072		NRSA02J-122X	MG RESISTOR,B,C 1.2kΩ,1/10W	C127		NCB31CK-333X	CAPACITOR 0.033μF,16V
		NRSA02J-182X	MG RESISTOR,A 1.8kΩ,1/10W	C128		NCB21CK-474X	CAPACITOR 0.47μF,16V
R7073		NRSA02J-331X	MG RESISTOR,A 330Ω,1/10W	C129		NCB31CK-333X	CAPACITOR 0.033μF,16V
		NRSA02J-821X	MG RESISTOR,B,C 820Ω,1/10W	C131		NCF31EZ-104X	CAPACITOR 0.1μF,25V
R7074		NRSA63J-103X	MG RESISTOR 10kΩ,1/16W	C132		NCF31EZ-104X	CAPACITOR 0.1μF,25V
R7077		NRVA63D-682X	CMF RESISTOR 6.8kΩ,1/16W	C133		NCF31EZ-104X	CAPACITOR 0.1μF,25V
R7083		NRSA63J-105X	MG RESISTOR 1MΩ,1/16W	C134		NCF31EZ-104X	CAPACITOR 0.1μF,25V
R7086		NRVA63D-123X	CMF RESISTOR 12kΩ,1/16W	C1201		NCB31HK-102X	CAPACITOR 0.001μF,50V
R7091		NRVA63D-123X	CMF RESISTOR 12kΩ,1/16W	C1202		NBE20JM-106X	T CAPACITOR 10μF,6.3V
R7093		NRVA63D-223X	CMF RESISTOR 22kΩ,1/16W	C1205		NCB31EK-153X	CAPACITOR 0.015μF,25V
R7096		NRVA63D-123X	CMF RESISTOR 12kΩ,1/16W	C1206		NBE20JM-106X	T CAPACITOR 10μF,6.3V
R7110		NRSA63J-105X	MG RESISTOR 1MΩ,1/16W	C1601		NCB31EK-103X	CAPACITOR 0.01μF,25V
R7112		NRVA63D-332X	CMF RESISTOR 3.3kΩ,1/16W	C1602		NCB21CK-224X	CAPACITOR 0.22μF,16V
R7114		NRVA63D-223X	CMF RESISTOR 22kΩ,1/16W	C1603		NCB31CK-223X	CAPACITOR 0.022μF,16V
R7116		NRVA63D-332X	CMF RESISTOR 3.3kΩ,1/16W	C1604		NCB31CK-223X	CAPACITOR 0.022μF,16V
R7118		NRVA63D-223X	CMF RESISTOR 22kΩ,1/16W	C1605		NCB31CK-223X	CAPACITOR 0.022μF,16V
R7120		NRVA63D-332X	CMF RESISTOR 3.3kΩ,1/16W	C1606		NCB31CK-104X	CAPACITOR 0.1μF,16V
R7122		NRVA63D-223X	CMF RESISTOR 22kΩ,1/16W	C1607		NCB31CK-104X	CAPACITOR 0.1μF,16V
R7124		NRVA63D-103X	CMF RESISTOR 10kΩ,1/16W	C1608		NCB31CK-683X	CAPACITOR 0.068μF,16V
R7127		NRVA63D-103X	CMF RESISTOR 10kΩ,1/16W	C1609		NCB31CK-104X	CAPACITOR 0.1μF,16V
R7128		NRVA63D-103X	CMF RESISTOR 10kΩ,1/16W	C1610		NCB31CK-104X	CAPACITOR 0.1μF,16V
R7129		NRVA63D-103X	CMF RESISTOR 10kΩ,1/16W	C1611		NCB31CK-104X	CAPACITOR 0.1μF,16V
R7130		NRVA63D-103X	CMF RESISTOR 10kΩ,1/16W	C1612		NDC31HJ-331X	CAPACITOR 330pF,50V
R7131		NRVA63D-103X	CMF RESISTOR 10kΩ,1/16W	C1613		NCB21CK-334X	CAPACITOR 0.33μF,16V
R7132		NRVA63D-103X	CMF RESISTOR 10kΩ,1/16W	C1614		NBE41AM-226X	T CAPACITOR 22μF,10V

# ▲ REF No.	PART No.	PART NAME, DESCRIPTION	# ▲ REF No.	PART No.	PART NAME, DESCRIPTION
C1615	NCB31HK-681X	CAPACITOR 680pF,50V	C3510	NCB31CK-104X	CAPACITOR 0.1μF,16V
C1616	NCB21CK-474X	CAPACITOR 0.47μF,16V	C3512	NCB10JK-106X	CAPACITOR 10μF,6.3V
C1617	NCB31HK-152X	CAPACITOR 0.0015μF,50V	C3513	NCB31EK-223X	CAPACITOR 0.022μF,25V
C1618	NBE21AM-106X	T CAPACITOR 10μF,10V	C3514	NCB21CK-105X	CAPACITOR 1μF,16V
C1619	NCB31CK-223X	CAPACITOR 0.022μF,16V	C3515	NCB31EK-103X	CAPACITOR 0.01μF,25V
C1620	NCB31HK-472X	CAPACITOR 0.0047μF,50V	C3516	NDC31HJ-100X	CAPACITOR 10pF,50V
C1621	NBP41CM-106X	T CAPACITOR 10μF,16V	C3902	NCB31EK-103X	CAPACITOR 0.01μF,25V
C2001	NBE20JM-106X	T CAPACITOR 10μF,6.3V	C3903	NDC31HJ-3R0X	CAPACITOR 3pF,50V
C2002	NFV41HJ-183X	MPPS CAPACITOR 0.018μF,50V	C4006	NCF31EZ-104X	CAPACITOR 0.1μF,25V
C2003	NDC31HJ-331X	CAPACITOR 330pF,50V	C4008	NCF31EZ-104X	CAPACITOR 0.1μF,25V
C2004	NBE20JM-226X	T CAPACITOR 22μF,6.3V	C4009	NCF31EZ-104X	CAPACITOR 0.1μF,25V
C2005	NCB21CK-105X	CAPACITOR 1μF,16V	C4010	NCF31EZ-104X	CAPACITOR 0.1μF,25V
C2021	NCB31EK-103X	CAPACITOR 0.01μF,25V	C4012	NCF31EZ-104X	CAPACITOR 0.1μF,25V
C2022	NBE20JM-156X	T CAPACITOR 15μF,6.3V	C4014	NCF31EZ-104X	CAPACITOR 0.1μF,25V
C2023	NBP21CM-105X	T CAPACITOR 1μF,16V	C4017	NCF31EZ-104X	CAPACITOR 0.1μF,25V
C2024	NCB31HK-102X	CAPACITOR 0.001μF,50V	C4019	NCF31EZ-104X	CAPACITOR 0.1μF,25V
C2025	NCB30JK-105X	CAPACITOR 1μF,6.3V	C4022	NCF31EZ-104X	CAPACITOR 0.1μF,25V
C2026	NCB31HK-222X	CAPACITOR 0.0022μF,50V	C4024	NCF31EZ-104X	CAPACITOR 0.1μF,25V
C2027	NCB30JK-474X	CAPACITOR 0.47μF,6.3V	C4028	NCF31EZ-104X	CAPACITOR 0.1μF,25V
C2028	NCB30JK-105X	CAPACITOR 1μF,6.3V	C4029	NCF31EZ-104X	CAPACITOR 0.1μF,25V
C2029	NCB30JK-105X	CAPACITOR 1μF,6.3V	C4030	NCF31EZ-104X	CAPACITOR 0.1μF,25V
C2031	NCB31CK-104X	CAPACITOR 0.1μF,16V	C4036	NCF31EZ-104X	CAPACITOR 0.1μF,25V
C2032	NCB31HK-472X	CAPACITOR 0.0047μF,50V	C4040	NCB21CK-105X	CAPACITOR,B,C 1μF,16V
C2033	NBE20JM-475X	T CAPACITOR 4.7μF,6.3V	C4044	NCB21CK-105X	CAPACITOR 1μF,16V
C2034	NCB31CK-104X	CAPACITOR 0.1μF,16V	C4048	NCB10JK-106X	CAPACITOR 10μF,6.3V
C2035	NBE20JM-226X	T CAPACITOR 22μF,6.3V	C4049	NDC31HJ-100X	CAPACITOR 10pF,50V
C2036	NBE20JM-106X	T CAPACITOR 10μF,6.3V	C4051	NDC31HJ-221X	CAPACITOR 220pF,50V
C2037	NBE20JM-226X	T CAPACITOR 22μF,6.3V	C4201	NEA71HM-225X	E CAPACITOR 2.2μF,50V
C2038	NCB30JK-474X	CAPACITOR 0.47μF,6.3V	C4202	NCF31EZ-104X	CAPACITOR 0.1μF,25V
C2051	NCB31EK-103X	CAPACITOR 0.01μF,25V	C4203	NCB31CK-104X	CAPACITOR 0.1μF,16V
C2071	NBE20JM-106X	T CAPACITOR 10μF,6.3V	C4205	NCB31EK-103X	CAPACITOR 0.01μF,25V
C2072	NCB31HK-222X	CAPACITOR 0.0022μF,50V	C4206	NCB31CK-104X	CAPACITOR 0.1μF,16V
C2401	NEA70GM-476X	E CAPACITOR 47μF,4.0V	C4207	NCB31EK-103X	CAPACITOR 0.01μF,25V
C2402	NBE20JM-106X	T CAPACITOR 10μF,6.3V	C4208	NCB31CK-104X	CAPACITOR 0.1μF,16V
C2403	NCB31EK-103X	CAPACITOR 0.01μF,25V	C4209	NCF21CZ-105X	CAPACITOR 1μF,16V
C2404	NCF31CZ-224X	CAPACITOR 0.22μF,16V	C4210	NCF21CZ-105X	CAPACITOR 1μF,16V
C2405	NCB31CK-104X	CAPACITOR 0.1μF,16V	C4251	NEA71HM-335X	E CAPACITOR 3.3μF,50V
C2406	NCF31EZ-104X	CAPACITOR 0.1μF,25V	C4252	NCB31CK-104X	CAPACITOR 0.1μF,16V
C3002	NCB21CK-105X	CAPACITOR 1μF,16V	C4253	NCB31EK-153X	CAPACITOR 0.015μF,25V
C3003	NCB21CK-105X	CAPACITOR 1μF,16V	C4254	NCB31EK-153X	CAPACITOR 0.015μF,25V
C3004	NCF31EZ-104X	CAPACITOR 0.1μF,25V	C4256	NEA71CM-106X	E CAPACITOR 10μF,16V
C3005	NCF31EZ-104X	CAPACITOR 0.1μF,25V	C4503	NEA70JM-107X	E CAPACITOR 100μF,6.3V
C3006	NDC31HG-100X	CAPACITOR 10pF,50V	C4504	NCF31EZ-104X	CAPACITOR 0.1μF,25V
C3007	NDC31HG-100X	CAPACITOR 10pF,50V	C4505	NDC31HJ-330X	CAPACITOR 33pF,50V
C3009	NCF31EZ-104X	CAPACITOR 0.1μF,25V	C4506	NCB31HK-102X	CAPACITOR 0.001μF,50V
C3011	NCF31EZ-104X	CAPACITOR 0.1μF,25V	C4507	NCB31HK-102X	CAPACITOR 0.001μF,50V
C3012	NCF31EZ-104X	CAPACITOR 0.1μF,25V	C4508	NCB31HK-102X	CAPACITOR 0.001μF,50V
C3013	NCF31EZ-104X	CAPACITOR 0.1μF,25V	C4509	NCB31HK-102X	CAPACITOR 0.001μF,50V
C3014	NCF31EZ-104X	CAPACITOR 0.1μF,25V	C4510	NCB31CK-104X	CAPACITOR 0.1μF,16V
C3015	NCF31EZ-104X	CAPACITOR 0.1μF,25V	C4511	NCF31EZ-104X	CAPACITOR 0.1μF,25V
C3017	NCF31EZ-104X	CAPACITOR 0.1μF,25V	C4701	NBE20JM-106X	T CAPACITOR 10μF,6.3V
C3019	NCB31EK-103X	CAPACITOR 0.01μF,25V	C4702	NCF31EZ-104X	CAPACITOR 0.1μF,25V
C3020	NCB31EK-103X	CAPACITOR 0.01μF,25V	C4703	NBE20JM-106X	T CAPACITOR 10μF,6.3V
C3027	NCB31EK-103X	CAPACITOR 0.01μF,25V	C4704	NCB21CK-105X	CAPACITOR 1μF,16V
C3028	NCB31EK-103X	CAPACITOR 0.01μF,25V	C4705	NDC31HJ-820X	CAPACITOR 82pF,50V
C3033	NCB31CK-104X	CAPACITOR,B,C 0.1μF,16V	C4706	NDC31HJ-150X	CAPACITOR 15pF,50V
C3037	NDC31HJ-100X	CAPACITOR 10pF,50V	C4707	NCB21CK-105X	CAPACITOR 1μF,16V
C3506	NCB31EK-103X	CAPACITOR 0.01μF,25V	C4708	NDC31HJ-820X	CAPACITOR,B,C 82pF,50V
C3507	NCB31EK-103X	CAPACITOR 0.01μF,25V	C4709	NDC31HJ-150X	CAPACITOR,B,C 15pF,50V
C3508	NCB31EK-103X	CAPACITOR 0.01μF,25V	C4710	NCB31EK-103X	CAPACITOR,B,C 0.01μF,25V
C3509	NDC31HJ-221X	CAPACITOR 220pF,50V	C4711	NCB21CK-105X	CAPACITOR,B,C 1μF,16V

#	△ REF No.	PART No.	PART NAME, DESCRIPTION	#	△ REF No.	PART No.	PART NAME, DESCRIPTION
C4712		NCB31EK-103X	CAPACITOR,B 0.01μF,25V	C6305		NDC31HJ-221X	CAPACITOR 220pF,50V
C4713		NCB21CK-105X	CAPACITOR,B 1μF,16V	C6307		NEA71CM-106X	E CAPACITOR,B,C 10μF,16V
C4714		NCB31EK-103X	CAPACITOR,B 0.01μF,25V	C6308		NBE20JM-106X	T CAPACITOR 10μF,6.3V
C4715		NCB21CK-105X	CAPACITOR,B,C 1μF,16V	C6310		NCB31HK-102X	CAPACITOR 0.001μF,50V
C4717		NCB31EK-103X	CAPACITOR,B 0.01μF,25V	C6401		NCB21CK-105X	CAPACITOR 1μF,16V
C4718		NDC31HJ-240X	CAPACITOR,B 24pF,50V	C6402		NCF21CZ-105X	CAPACITOR 1μF,16V
C4719		NCB31EK-103X	CAPACITOR,B,C 0.01μF,25V	C6406		NCB31CK-683X	CAPACITOR 0.068μF,16V
C5203		NCB10JK-106X	CAPACITOR 10μF,6.3V	C6410		NCB21CK-474X	CAPACITOR 0.47μF,16V
C5207		NCB31EK-103X	CAPACITOR 0.01μF,25V	C6501		NCB21CK-105X	CAPACITOR 1μF,16V
C5208		NCB31EK-103X	CAPACITOR 0.01μF,25V	C6502		NCF21CZ-105X	CAPACITOR 1μF,16V
C5209		NCB31EK-103X	CAPACITOR 0.01μF,25V	C6506		NCB21CK-224X	CAPACITOR 0.22μF,16V
C5210		NCF31EZ-104X	CAPACITOR 0.1μF,25V	C6510		NCB31CK-104X	CAPACITOR 0.1μF,16V
C5211		NCB21CK-105X	CAPACITOR 1μF,16V	C6601		NCB11CK-225X	CAPACITOR 2.2μF,16V
C5212		NCB21CK-105X	CAPACITOR 1μF,16V	C6602		NCF21CZ-105X	CAPACITOR 1μF,16V
C5213		NCB31HK-332X	CAPACITOR 0.0033μF,50V	C6603		NCB11CK-475X	CAPACITOR 4.7μF,16V
C5214		NCB31EK-103X	CAPACITOR 0.01μF,25V	C6605		NDC31HJ-331X	CAPACITOR 330pF,50V
C5218		NCB31EZ-104X	CAPACITOR 0.1μF,25V	C6606		NCF21CZ-105X	CAPACITOR 1μF,16V
C5219		NBP21CM-685X	T CAPACITOR 6.8μF,16V	C6607		NCB11EK-105X	CAPACITOR 1μF,25V
C5221		NCB11EK-105X	CAPACITOR 1μF,25V	C6610		NCB31EK-103X	CAPACITOR 0.01μF,25V
C5222		NCB31CK-104X	CAPACITOR 0.1μF,16V	C6616		NCB21CK-105X	CAPACITOR 1μF,16V
C5223		NCF31EZ-104X	CAPACITOR 0.1μF,25V	C6622		NCB21CK-105X	CAPACITOR 1μF,16V
C5225		NCF31EZ-104X	CAPACITOR 0.1μF,25V	C6700		NCB31HK-272X	CAPACITOR 0.0027μF,50V
C5227		NCB31CK-104X	CAPACITOR 0.1μF,16V	C6701		NCF21CZ-105X	CAPACITOR 1μF,16V
C5228		NCF31EZ-104X	CAPACITOR 0.1μF,25V	C6702		NCB41CK-106X	CAPACITOR 10μF,16V
C5229		NCB11EK-105X	CAPACITOR 1μF,25V	C6711		NCB21HK-472X	CAPACITOR 0.0047μF,50V
C5230		NCB21EK-104X	CAPACITOR 0.1μF,25V	C6802		NCF21CZ-105X	CAPACITOR 1μF,16V
C5232		NDC31HJ-100X	CAPACITOR 10pF,50V	C6805		NCB31HK-102X	CAPACITOR 0.001μF,50V
C5233		NDC31HJ-100X	CAPACITOR 10pF,50V	C6810		NCB31EK-103X	CAPACITOR 0.01μF,25V
C5234		NDC31HJ-100X	CAPACITOR 10pF,50V	C6812		NCF21CZ-105X	CAPACITOR 1μF,16V
C5235		NDC31HJ-100X	CAPACITOR 10pF,50V	C6820		NCB31HK-102X	CAPACITOR 0.001μF,50V
C5236		NDC31HJ-100X	CAPACITOR 10pF,50V	C7001		NCB31EK-103X	CAPACITOR 0.01μF,25V
C5237		NDC31HJ-100X	CAPACITOR 10pF,50V	C7002		NBE20JM-106X	T CAPACITOR 10μF,6.3V
C6002		NEA71CM-106X	E CAPACITOR 10μF,16V	C7019		NDC31HJ-270X	CAPACITOR 27pF,50V
C6004		NCF21CZ-105X	CAPACITOR 1μF,16V	C7020		NDC31HJ-270X	CAPACITOR 27pF,50V
C6005		NCB21CK-105X	CAPACITOR 1μF,16V	C7021		NBP41EM-475X	T CAPACITOR 4.7μF,25V
C6006		NCF21CZ-105X	CAPACITOR 1μF,16V	C7022		NCB31EK-103X	CAPACITOR 0.01μF,25V
C6007		NCB21CK-105X	CAPACITOR 1μF,16V	C7023		NCB31EK-103X	CAPACITOR 0.01μF,25V
C6009		NDC31HJ-820X	CAPACITOR 82pF,50V	C7024		NBP41EM-475X	T CAPACITOR 4.7μF,25V
C6010		NCB21CK-105X	CAPACITOR 1μF,16V	C7025		NCB31EK-103X	CAPACITOR 0.01μF,25V
C6011		NCB21CK-104X	CAPACITOR 0.1μF,16V	C7026		NBE20JM-106X	T CAPACITOR 10μF,6.3V
C6012		NCB21CK-224X	CAPACITOR 0.22μF,16V	C7028		NCB31EK-103X	CAPACITOR 0.01μF,25V
C6013		NCB31EK-473X	CAPACITOR 0.047μF,25V	C7029		NCB31CK-104X	CAPACITOR,A 0.1μF,16V
C6014		NCB31EK-473X	CAPACITOR 0.047μF,25V	C7030		NCB31EK-103X	CAPACITOR 0.01μF,25V
C6015		NCB31EK-473X	CAPACITOR 0.047μF,25V	C7031		NDC31HJ-220X	CAPACITOR 22pF,50V
C6016		NCB31EK-473X	CAPACITOR 0.047μF,25V	C7032		NCB31CK-104X	CAPACITOR 0.1μF,16V
C6017		NCF21CZ-105X	CAPACITOR 1μF,16V	C7033		NCB21CK-334X	CAPACITOR 0.33μF,16V
C6101		NCB21CK-105X	CAPACITOR 1μF,16V	C7034		NDC31HJ-331X	CAPACITOR 330pF,50V
C6102		NCB10JK-106X	CAPACITOR 10μF,6.3V	C7035		NDC31HJ-330X	CAPACITOR 33pF,50V
C6105		NCB31HK-102X	CAPACITOR 0.001μF,50V	C7036		NCB31CK-104X	CAPACITOR 0.1μF,16V
C6106		NCF21CZ-105X	CAPACITOR 1μF,16V	C7037		NDC31HJ-330X	CAPACITOR 33pF,50V
C6107		NCF21CZ-105X	CAPACITOR 1μF,16V	C7038		NCB31EK-103X	CAPACITOR 0.01μF,25V
C6108		NCF21CZ-105X	CAPACITOR 1μF,16V	C7039		NBP41CM-106X	T CAPACITOR 10μF,16V
C6110		NCB31HK-152X	CAPACITOR 0.0015μF,50V	C7042		NCB31EK-103X	CAPACITOR 0.01μF,25V
C6201		NCB21CK-105X	CAPACITOR 1μF,16V	C7045		NDC31HJ-100X	CAPACITOR 10pF,50V
C6202		NCB10JK-106X	CAPACITOR 10μF,6.3V	C7046		NDC31HJ-100X	CAPACITOR 10pF,50V
C6203		NEA70JM-476X	E CAPACITOR 47μF,6.3V	C7047		NDC31HJ-100X	CAPACITOR 10pF,50V
C6205		NCB31HK-472X	CAPACITOR 0.0047μF,50V	C7048		NBE20JM-106X	T CAPACITOR 10μF,6.3V
C6210		NCB31EK-103X	CAPACITOR 0.01μF,25V	C7051		NCB31EK-103X	CAPACITOR 0.01μF,25V
C6301		NCB11CK-225X	CAPACITOR 2.2μF,16V	C7052		NBE20JM-106X	T CAPACITOR 10μF,6.3V
C6302		NCB10JK-106X	CAPACITOR 10μF,6.3V	C7053		NCB31EK-103X	CAPACITOR 0.01μF,25V
C6303		NEA70JM-226X	E CAPACITOR 22μF,6.3V	C7054		NBP41EM-475X	T CAPACITOR 4.7μF,25V

#	△ REF No.	PART No.	PART NAME, DESCRIPTION	
R7503		NRSA63J-102X	MG RESISTOR	1kΩ,1/16W
R7506		NRSA63J-473X	MG RESISTOR	47kΩ,1/16W
R7507		NRSA63J-473X	MG RESISTOR	47kΩ,1/16W
R7511		NRSA63J-223X	MG RESISTOR,B,C	22kΩ,1/16W
R7512		NRSA63J-223X	MG RESISTOR,B,C	22kΩ,1/16W
R7513		NRSA63J-103X	MG RESISTOR,A	10kΩ,1/16W
R7514		NRSA63J-333X	MG RESISTOR,B,C	33kΩ,1/16W
R7515		NRSA63J-302X	MG RESISTOR,A	3kΩ,1/16W
		NRSA63J-562X	MG RESISTOR,B,C	5.6kΩ,1/16W
R7516		NVP0016-103X	TRIM RESISTOR,V COM	10kΩ
R7517		NRSA63J-563X	MG RESISTOR	56kΩ,1/16W
C7501		NCZ1016-120X	CAPACITOR	12pF,2kV
C7502		NCB31EK-103X	CAPACITOR	0.01μF,25V
C7503		NFV41HJ-273X	MPPS CAPACITOR	0.027μF,50V
C7504		NCB31EK-103X	CAPACITOR	0.01μF,25V
C7505		NCB10JK-106X	CAPACITOR	10μF,6.3V
C7510		NCB31EK-103X	CAPACITOR,B,C	0.01μF,25V
L7501		NQLZ010-680X	COIL	68μH
L7502		NQL03BK-100X	COIL	10μH
T7501		NQS0049-001X	SW TRANSF	
CN7501		QGF0501F1-28X	FPC CONNECTOR	
CN7502		QGF0505F1-24X	FPC CONNECTOR	
CN7503		QGA5002F1-02X	CONNECTOR	
△ F7501		NMFZ009-R375XJ1	FUSE	T0.37A
OT1		LY41726-001A	PLATE(EARTH)	

#	△ REF No.	PART No.	PART NAME, DESCRIPTION	
R21		QRSA08J-275YN	RESISTOR	2.7MΩ,1/10W
R22		QRSA08J-275YN	RESISTOR	2.7MΩ,1/10W
R23		QRSA08J-105YN	RESISTOR	1MΩ,1/10W
R24		QRSA08J-154YN	RESISTOR	150kΩ,1/10W
R25		QRSA08J-1R5YN	RESISTOR	1.5Ω,1/10W
R27		QRSA08J-102YN	RESISTOR	1kΩ,1/10W
R28		QRSA08J-121YN	RESISTOR	120Ω,1/10W
VR1		PTY20307-504	V RESISTOR,V SIZE	470Ω
VR2		PTY20307-505	V RESISTOR,H HOLD	47kΩ
VR4		PTY20307-506	V RESISTOR,BRIGHT	1MΩ
C1		YQ31803-507	CAPACITOR	0.22μF,16V
C2		NCF21CZ-105X	CAPACITOR	1μF,16V
C3		NCB21HK-152X	CAPACITOR	0.0015μF,50V
C4		NCF21CZ-105X	CAPACITOR	1μF,16V
C5		QEDP1AM-227	E CAPACITOR	220μF,10V
C6		QEDP1AM-227	E CAPACITOR	220μF,10V
C7		QEDP1AM-227	E CAPACITOR	220μF,10V
C8		NCF21CZ-105X	CAPACITOR	1μF,16V
C9		NDC21HJ-101X	CAPACITOR	100pF,50V
C10		NCB21HK-473X	CAPACITOR	0.047μF,50V
C11		QER61HM-106	E CAPACITOR	10μF,50V
C12		PTY20307-508	F CAPACITOR	4700pF
C13		YQ31304-506	E CAPACITOR	100μF,10V
C14		YQ31304-507	CAPACITOR	1500pF,630V
L1		YQ30723-115	COIL	100μH
TH1		YU30236-110	THERMISTOR	
WR1		PTY20307-580	WIRE,CN1-MAIN CN12	
CN2		PTY20307-571	CONNECTOR	

E.VF BOARD ASSEMBLY <50>

PW	PTY20307-601	E.VF BOARD ASSY	
△ FBT1	PTY20307-550	FLY BACK TRANS	
HLC1	PTY20307-560	H.COIL	
IC1	BA7149F	IC	
Q1	2SA1576A	TRANSISTOR,TR1	
Q2	2SC4132	TRANSISTOR,TR2	
Q3	2SC4098	TRANSISTOR,TR3	
D1	RLS245	DIODE	
D2	MA143A	DIODE	
R1	YQ31803-501	RESISTOR	9.1kΩ,1/10W
R2	QRSA08G-333YN	RESISTOR	33kΩ,1/10W
R3	QRSA08J-3R9YN	RESISTOR	3.9Ω,1/10W
R4	QRSA08J-390YN	RESISTOR	39Ω,1/10W
R5	YU30595-111	RESISTOR	390Ω,1/10W
R6	YU30595-113	RESISTOR	91kΩ,1/10W
R7	QRSA08J-103YN	RESISTOR	10kΩ,1/10W
R8	YQ31803-502	RESISTOR	2.2kΩ,1/10W
R9	QRSA08J-102YN	RESISTOR	1kΩ,1/10W
R10	QRSA08J-102YN	RESISTOR	1kΩ,1/10W
R11	QRSA08J-330YN	RESISTOR	33Ω,1/10W
R12	QRSA08J-113YN	RESISTOR	11kΩ,1/10W
R13	YQ31803-503	RESISTOR	3.9kΩ,1/10W
R14	QRSA08J-822YN	RESISTOR	8.2kΩ,1/10W
R15	QRSA08J-182YN	RESISTOR	1.8kΩ,1/10W
R16	QRSA08J-332YN	RESISTOR	3.3kΩ,1/10W
R17	QRSA08J-102YN	RESISTOR	1kΩ,1/10W
R18	QRSA08J-471YN	RESISTOR	470Ω,1/10W
R19	QRSA08F-103YN	RESISTOR	10kΩ,1/10W
R20	QRSA08F-152YN	RESISTOR	1.5kΩ,1/10W